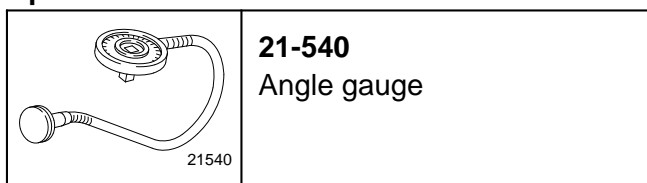


Differential Assembly – Remove and Install (15 254 0)

Special Tools

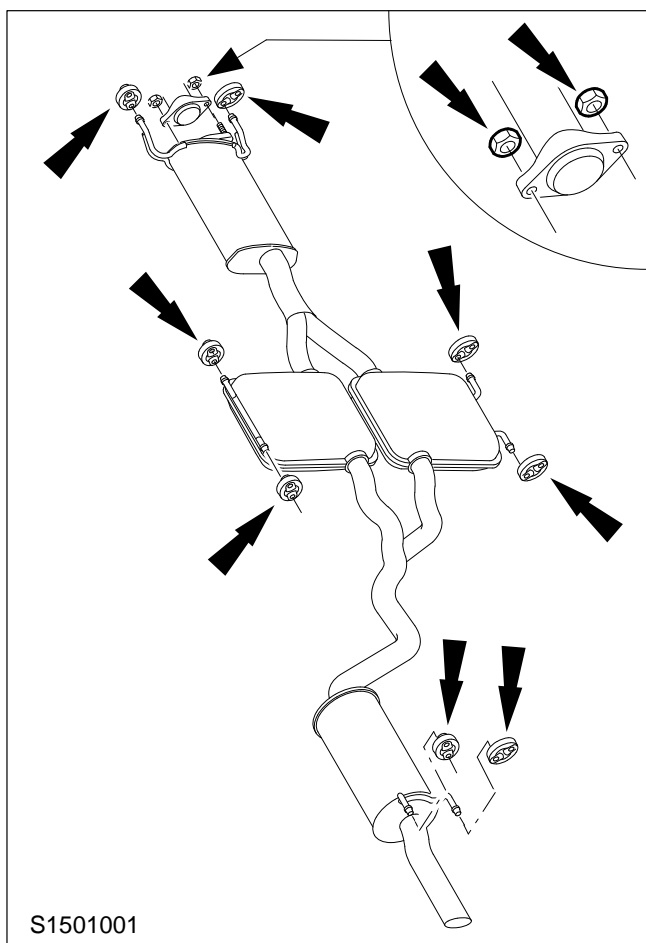


Workshop Equipment

Transmission jack	
-------------------	--

Materials

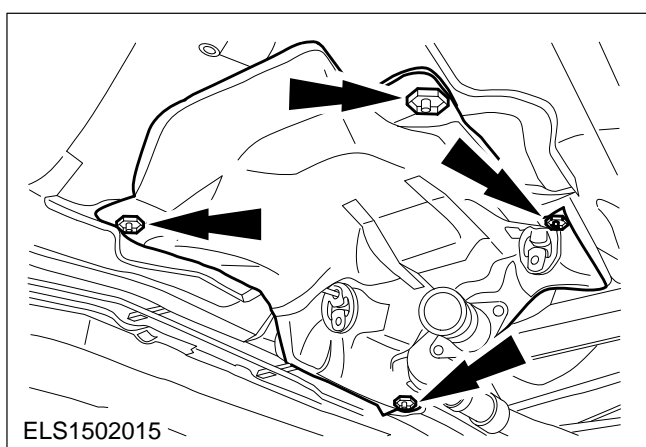
High-temperature grease	WSD-M1C237-A
-------------------------	--------------



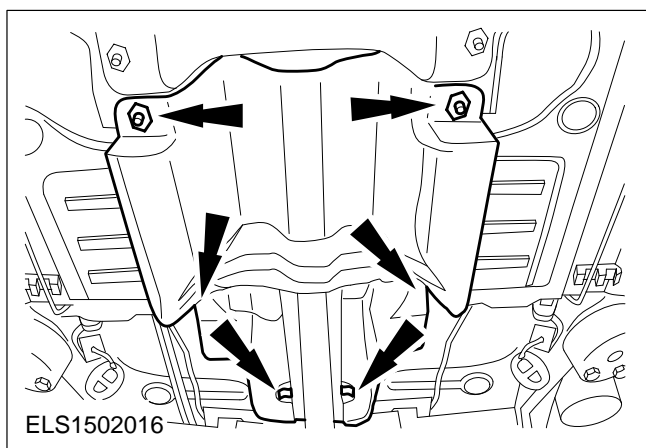
Remove

1. Remove the rear part of the exhaust system.

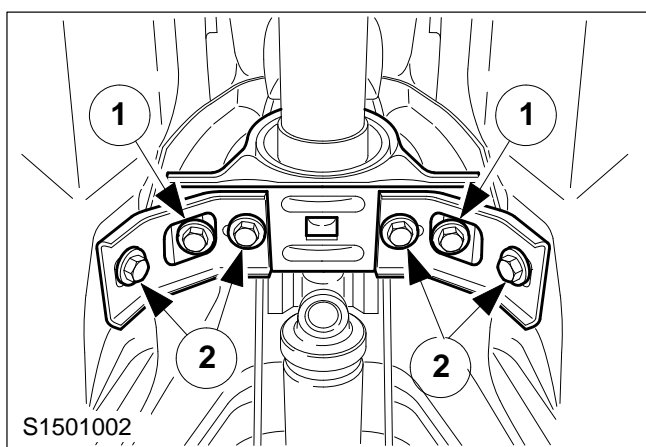
- Raise the vehicle.
- Disconnect the exhaust system at the centre flange (two bolts).
- Unhook the rear part of the exhaust system from the rubber mountings and lay it to one side.



2. Detach the exhaust system front heat shield.

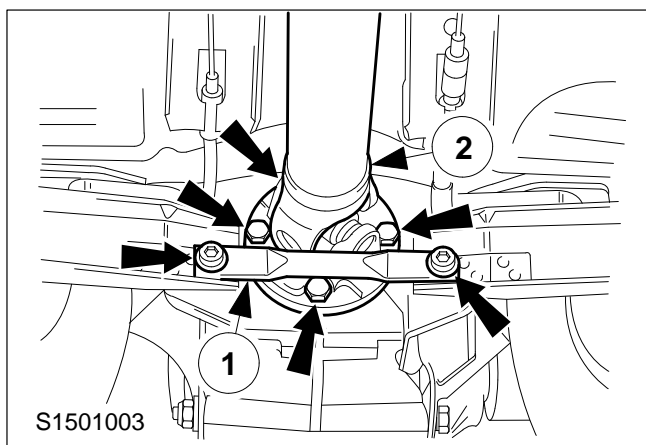


3. Detach the exhaust system rear heat shield.



4. Release the driveshaft centre bearing.

- 1 Unscrew the two bolts securing the centre bearing to the floor assembly.
- 2 Slacken the remaining bolts of the centre bearing.

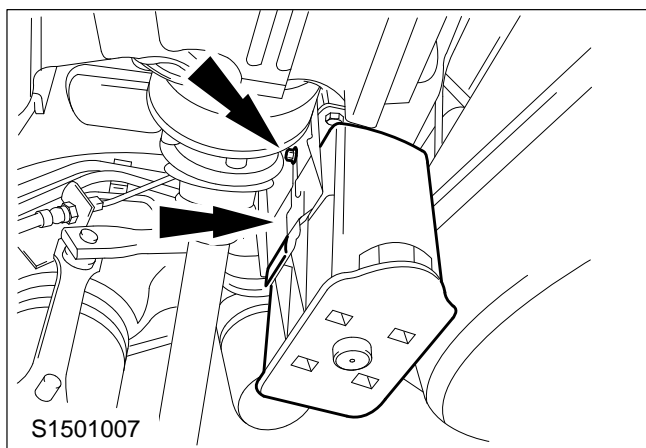


⚠ CAUTION: The driveshaft is precision-balanced by bolts of different lengths. Mark the position of the driveshaft and the bolts.

5. Detach the driveshaft from the rear axle.

NOTE: The transverse brace will no longer be installed in vehicles built from Jan '96.

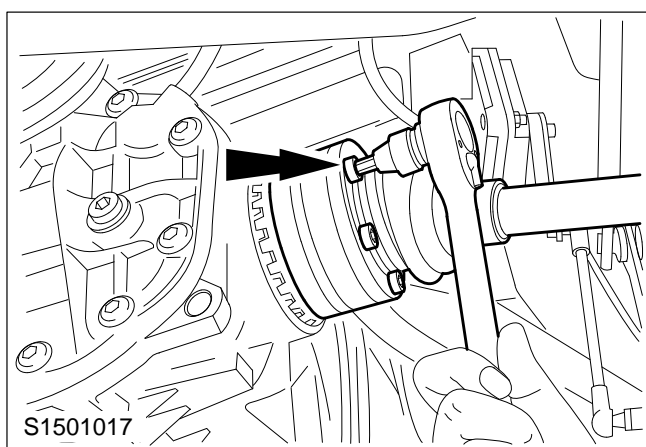
- 1 Detach the transverse brace from the rear axle.
 - 2 Remove the four bolts.
- Slide the driveshaft forwards, detach it from the rear axle flange and suspend it to one side.



Petrol-engined variants only.

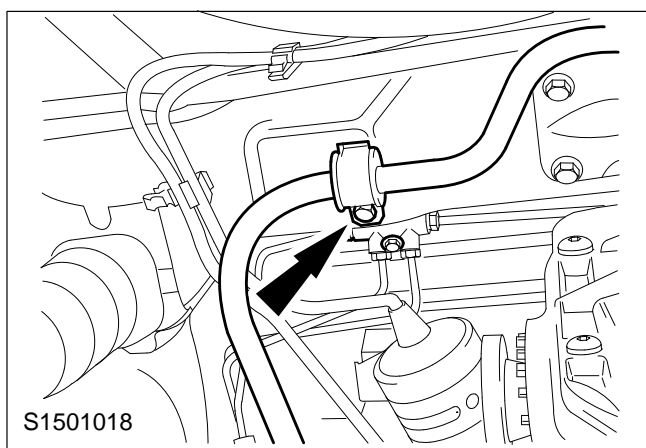
6. Detach the EVAP canister.

Loosen the bolt on the bracket, unhook the EVAP canister and tie it up to one side.



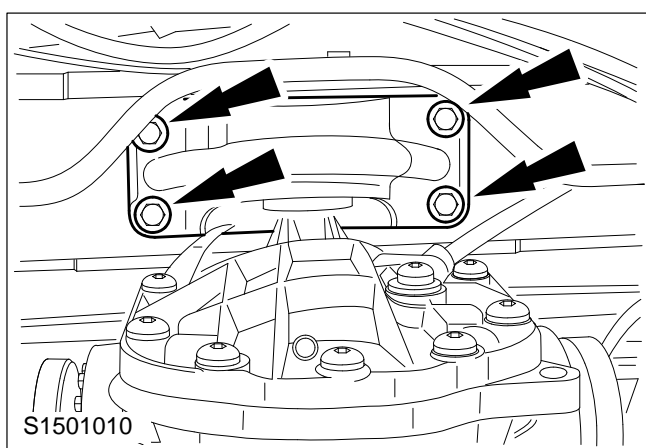
7. Detach the right and left-hand rear axle driveshafts (model shown up to Jan '95).

- Unscrew the bolts.
- Tie up the rear axle driveshafts.
- Remove the gaskets.



Vehicles up to Dec '95 only

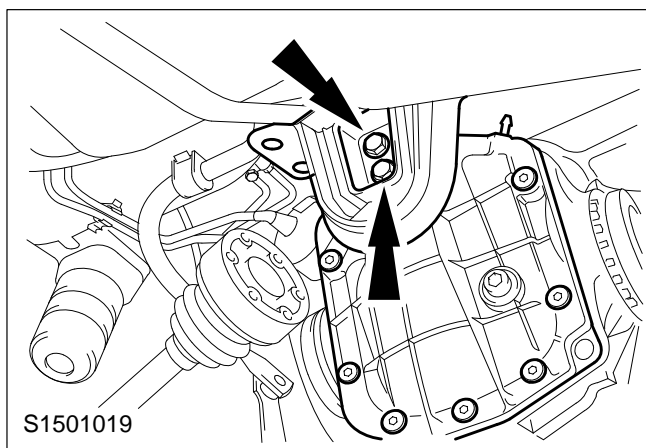
8. Detach the left-hand stabiliser bar mounting bracket.



Vehicles up to Dec '95 only

9. Detach the differential mounting.

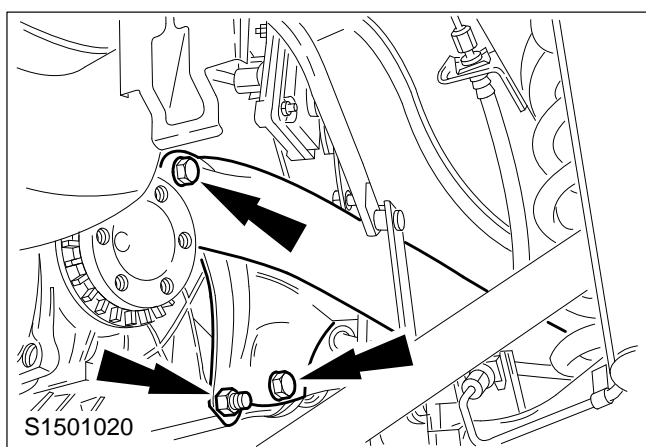
Support the differential assembly on a transmission jack.



Vehicles up to Dec '95 only

10. Detach the mounting from the differential cover.

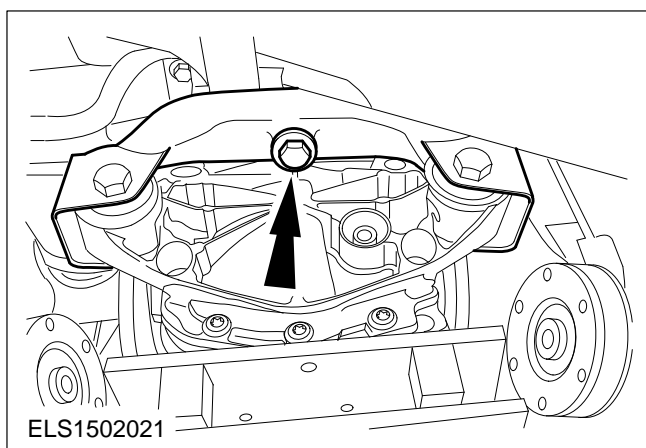
Lower the differential assembly slightly.



Vehicles up to Dec '95 only

11. Detach the differential assembly from the crossmember (four bolts).

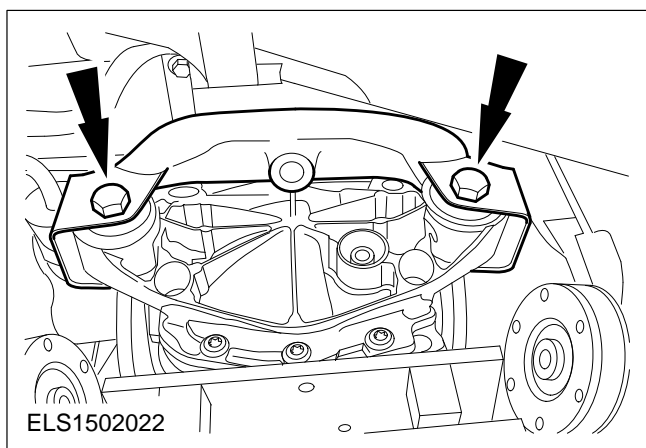
Lower the differential assembly.



Vehicles from Jan '96 only

12. Detach the differential mounting.

- Support the differential assembly on a transmission jack.
- Unscrew the bolt.



Vehicles from Jan '96 only

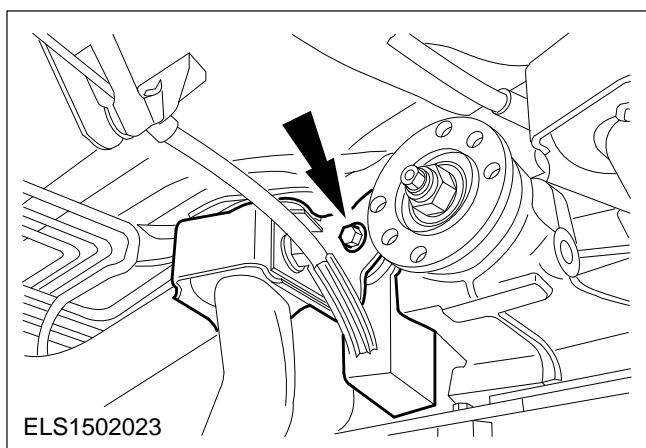
13. Detach the differential mounting from the differential.

- Lower the differential assembly with a transmission jack until the bolts can be unscrewed.
- Unscrew the bolts.

NOTE: Do not tighten the bolt.

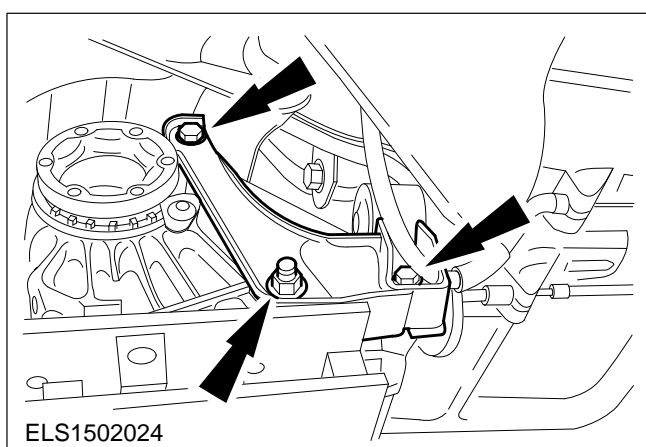
14. Fit the differential mounting to the floor assembly (one bolt).

- Raise the differential assembly with a transmission jack.
- Fit the bolt finger-tight.



Vehicles from Jan '96 only.

15. Fit the differential bracket from the crossmember.



Vehicles from Jan '96 only.

16. Detach the differential bracket from the differential.

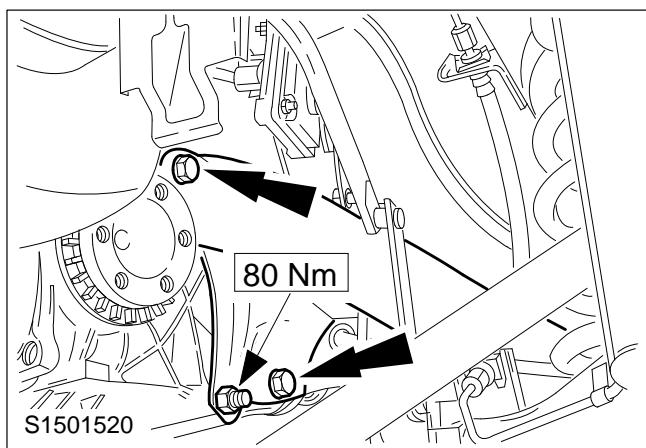
- Lower the differential assembly with a transmission jack until the bracket can be detached.
- Unscrew the two bolts and slacken the nut.
- Remove the differential bracket from the differential and tie it up to one side.

Vehicles from Jan '96 only.

17. Lower the differential assembly with a transmission jack.

Install

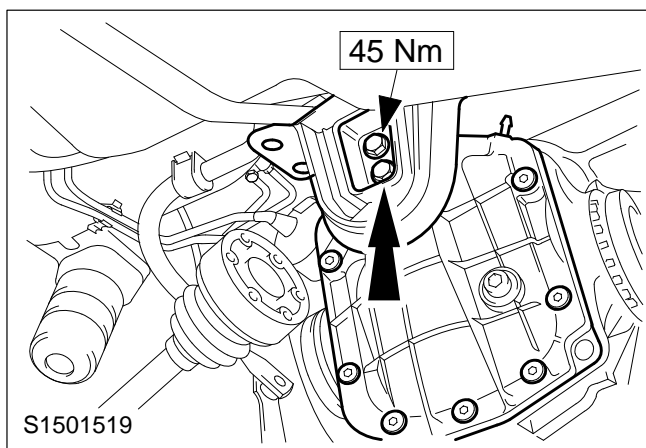
18. Move the differential into position with a transmission jack.



Vehicles up to Dec '95 only

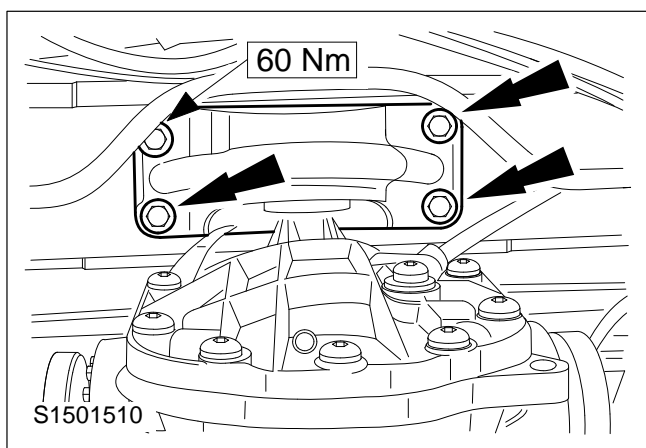
NOTE: Tighten the bolt that goes right through the bottom of the crossmember first.

19. Move the differential into position with a transmission jack and tighten the four bolts.



Vehicles up to Dec '95 only

20. Attach the mounting to the transmission cover.

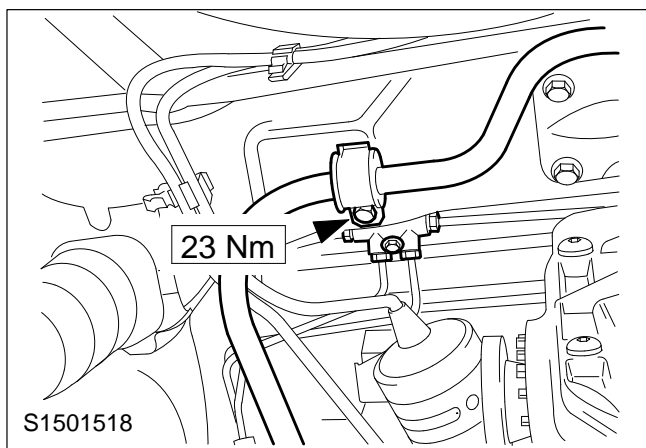


Vehicles up to Dec '95 only

21. Raise the differential assembly.

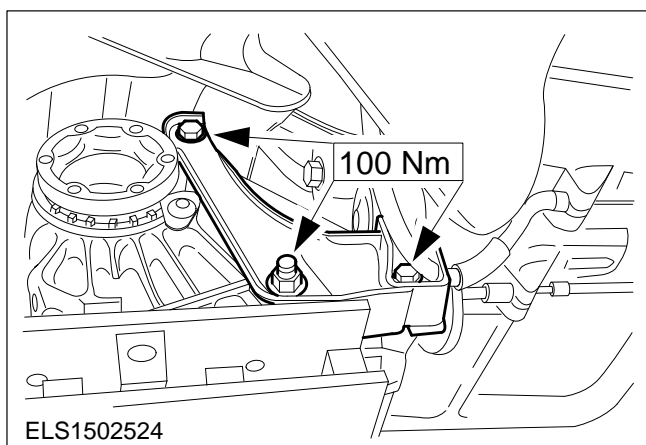
22. Secure the differential mounting.

Remove the transmission jack.



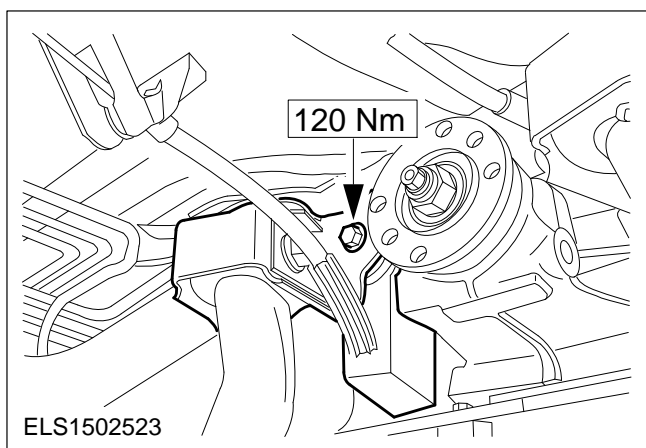
Vehicles up to Dec '95 only

23. Attach the left-hand stabiliser bar mounting bracket.



Vehicles from Jan '96 only

24. Fit the differential bracket to the differential.



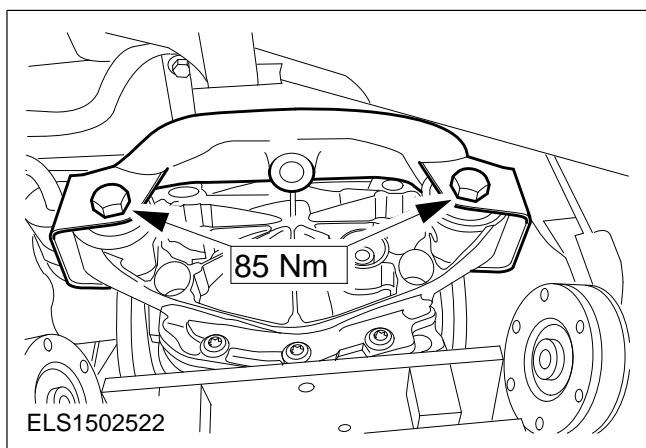
Vehicles from Jan '96 only

25. Attach the differential bracket from the crossmember.

Move the differential into position with a transmission jack so that the bolt can be screwed in.

Vehicles from Jan '96 only

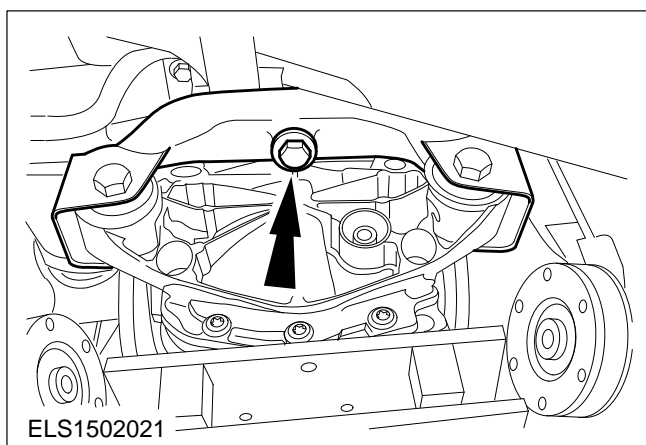
26. Detach the differential mounting from the floor assembly (one bolt).



Vehicles from Jan '96 only

27. Fit the differential mounting to the differential assembly.

- Lower the differential with a transmission jack until the bolts can be screwed in.
- Screw in the bolts.

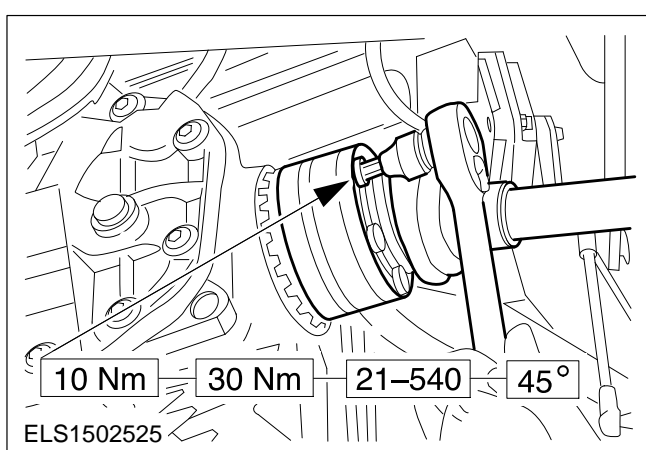


Vehicles from Jan '96 only

NOTE: Torques

28. Attach the differential mounting to the floor assembly.

- Raise the differential assembly with a transmission jack.
- 110 Nm torque up to build month July '97.
- 125 Nm torque from build month Aug '97.
- Screw in the bolt.
- Remove the transmission jack.

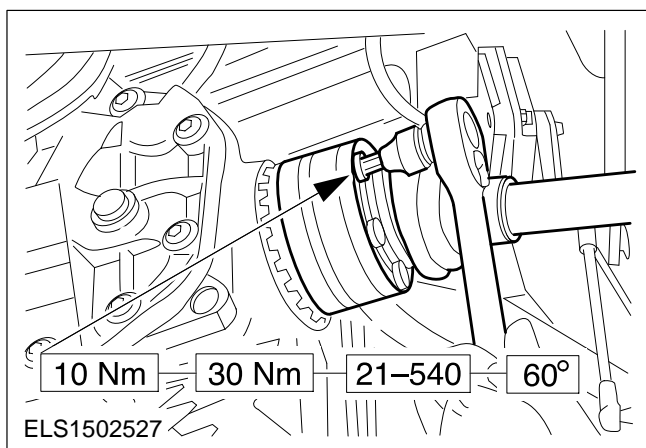


CAUTION: The torque varies according to the diameter of the bolt. The specified torque for the wheel and driveshaft side applies to M8 bolts.

NOTE: Fit new bolts. Place a new seal in the turned recess in the constant-velocity joints.

NOTE: Check that the joints are packed with the correct amount of grease (WSD-M1C237-A) and add grease as necessary (90 g per joint).

29. Fit the rear axle driveshafts with the M8 bolts (vehicle shown up to Dec '95).

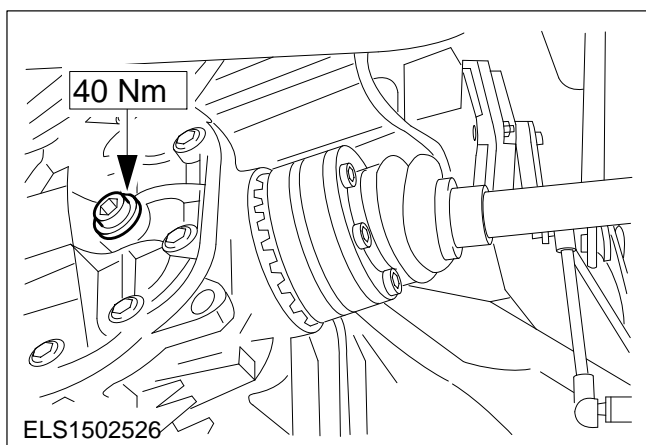


CAUTION: The torque varies according to the diameter of the bolt. The specified torque for the wheel and driveshaft side applies to M10 bolts.

NOTE: Fit new bolts. Place a new seal in the turned recess in the constant-velocity joints.

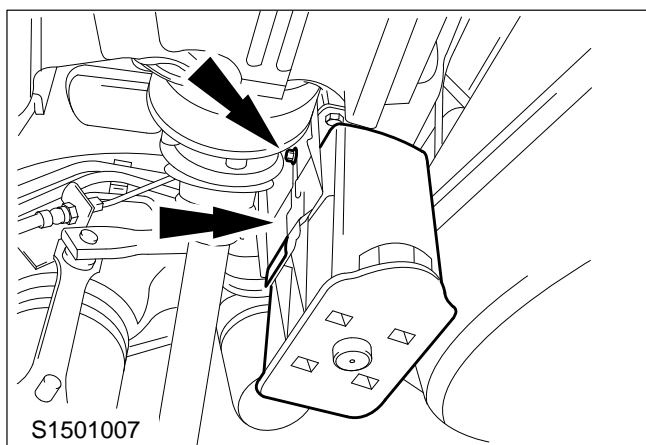
NOTE: Check that the joints are packed with the correct amount of grease (WSD-M1C237-A) and add grease as necessary (90 g per joint).

30. Fit the rear axle driveshafts with the M10 bolts (vehicle shown up to Dec '95).



31. Check the oil level in the differential.

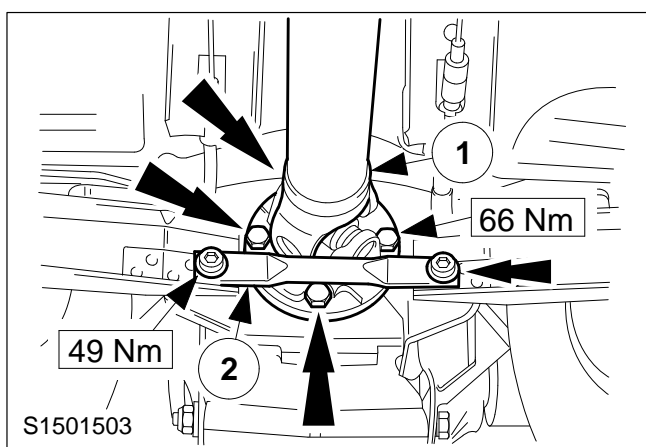
The differential should be filled with oil to the lower edge of the check bore.



Petrol-engined variants only.

32. Fit the EVAP canister.

Hook the EVAP canister into the bracket and tighten the bolt.



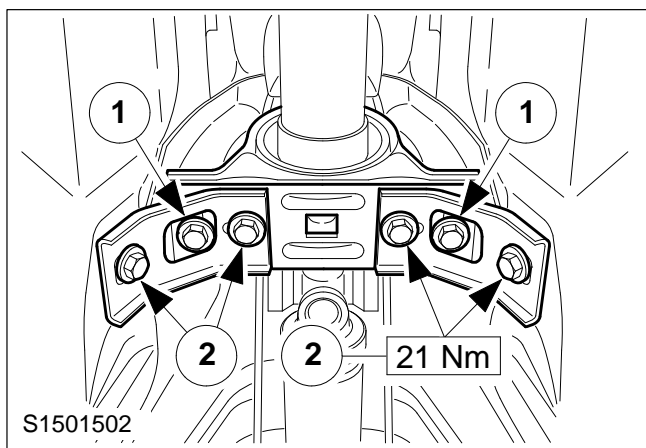
CAUTION: The driveshaft is precision-balanced by bolts of different lengths. Mark the position of the driveshaft and the bolts.

33. Attach the driveshaft and the transverse brace to the rear axle.

1 Attach the driveshaft to the rear axle flange.

NOTE: The transverse brace will no longer be installed in vehicles built from Jan '96.

2 Attach the transverse brace.

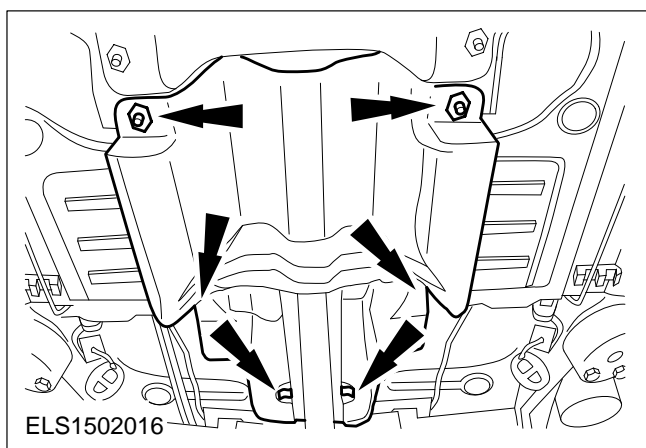


34. Fit the driveshaft centre bearing.

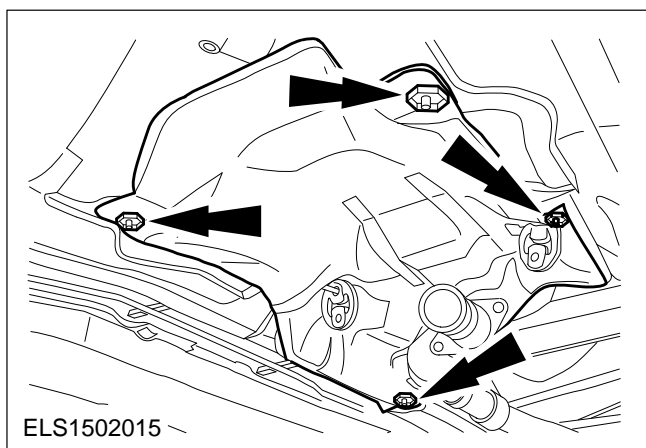
- Align the centre bearing.

NOTE: In each case a spacer washer must be positioned between the floor assembly and the centre bearing.

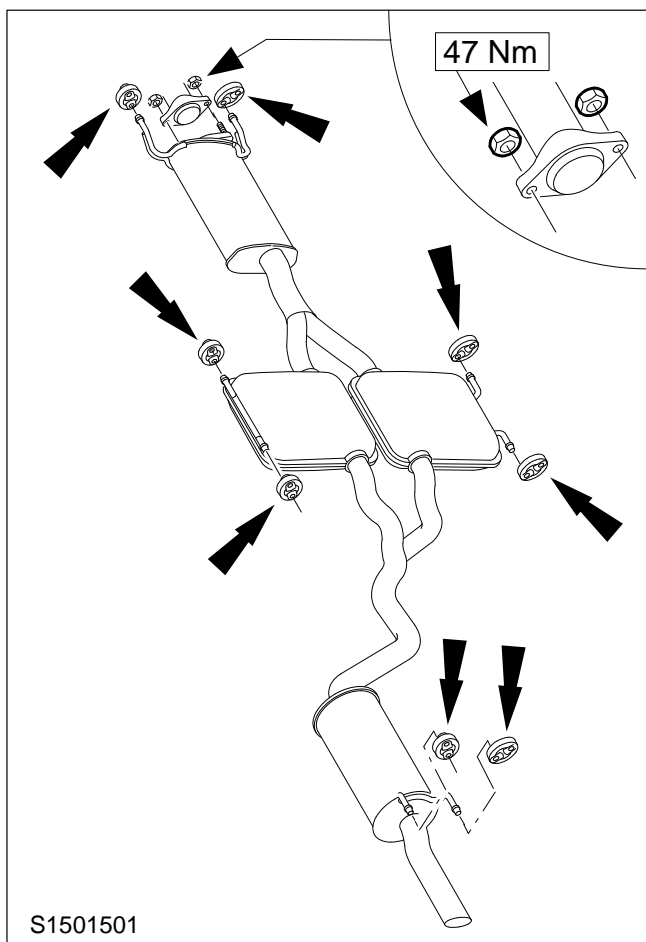
- 1 Insert the two bolts and tighten them.
- 2 Tighten the remaining bolts.



35. Fit the exhaust system rear heat shield.



36. Fit the exhaust system front heat shield.

**37. Fit the rear part of the exhaust system.**

- Connect the pipe flanges, align the system and screw in the bolts.
- Hook the exhaust system into the rubber mountings.
- Tighten the bolts at the centre flange.

38. Lower the vehicle.