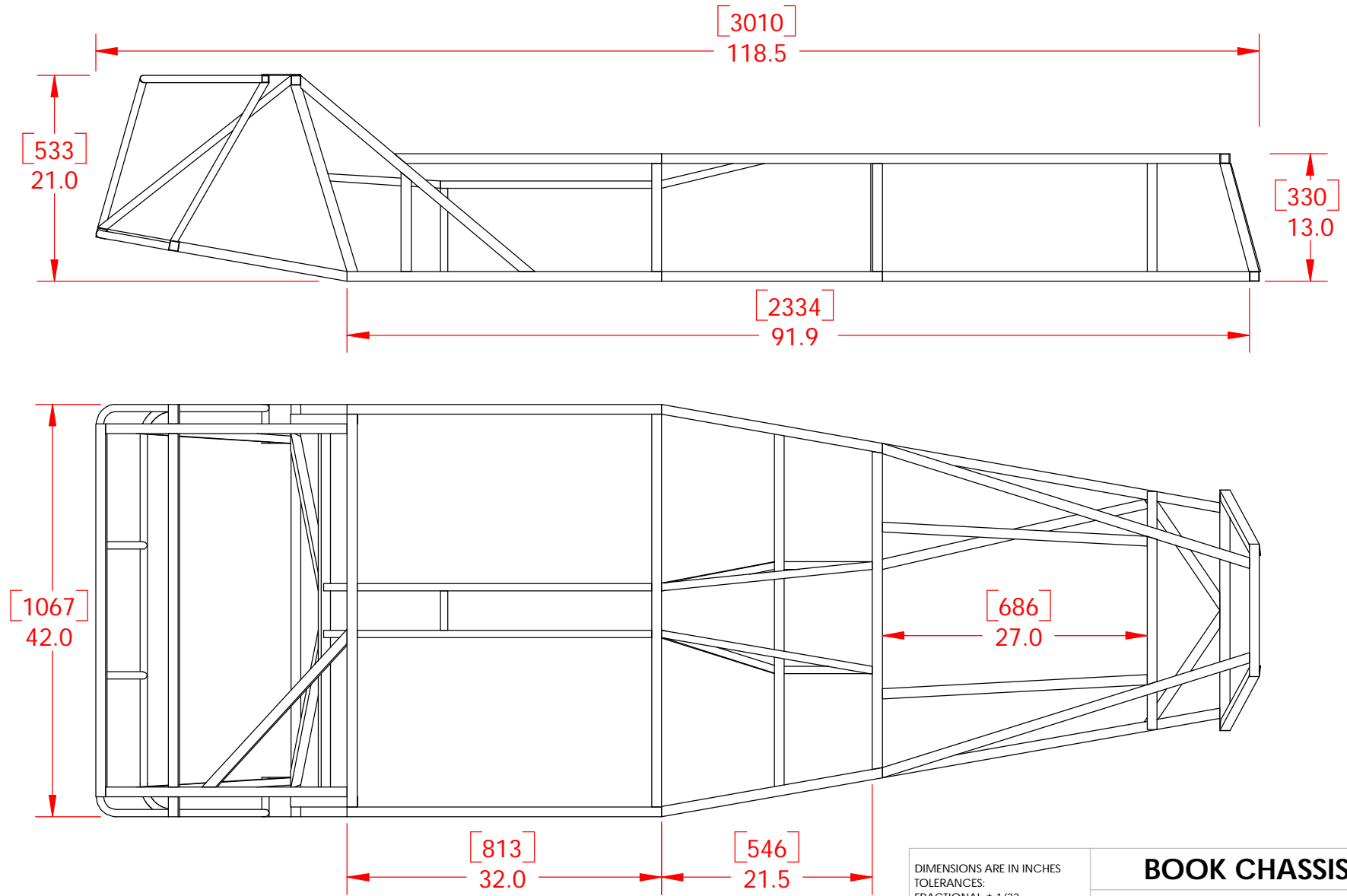


FOR EDUCATIONAL USE ONLY
 THE INFORMATION CONTAINED IN THIS DRAWING IS NOT INTENDED FOR USE IN THE CONSTRUCTION OR MANUFACTURE OF PARTS. THE INFORMATION IS PROVIDED WITHOUT WARRANTY FOR EDUCATIONAL REFERENCE ONLY.

DIMENSIONS ARE IN INCHES
 TOLERANCES:
 FRACTIONAL $\pm 1/32$
 ANGULAR $\pm 1^\circ$
 TWO PLACE DECIMAL $\pm .03$
 THREE PLACE DECIMAL $\pm .010$

MATERIAL
 DO NOT SCALE DRAWING

BOOK CHASSIS			
BASIC CHASSIS			
SIZE A	DWG. NO. Chassis	REV.	
SCALE:1:1	WEIGHT:	SHEET 1 OF 2	



DIMENSIONS ARE IN INCHES
 TOLERANCES:
 FRACTIONAL $\pm 1/32$
 ANGULAR $\pm 1^\circ$
 TWO PLACE DECIMAL $\pm .03$
 THREE PLACE DECIMAL $\pm .010$

BOOK CHASSIS

CHASSIS PLAN

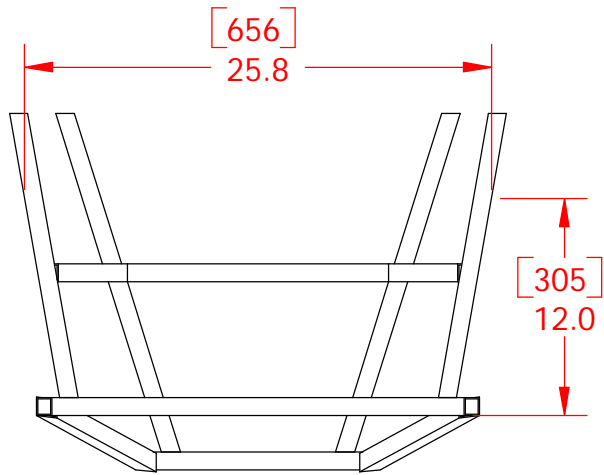
FOR EDUCATIONAL USE ONLY

THE INFORMATION CONTAINED IN THIS
 DRAWING IS NOT INTENDED FOR USE IN
 THE CONSTRUCTION OR MANUFACTURE
 OF PARTS. THE INFORMATION IS PROVIDED
 WITHOUT WARRANTY FOR EDUCATIONAL
 REFERENCE ONLY.

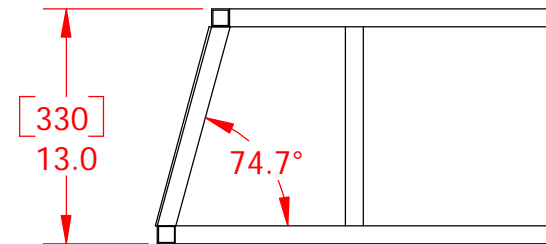
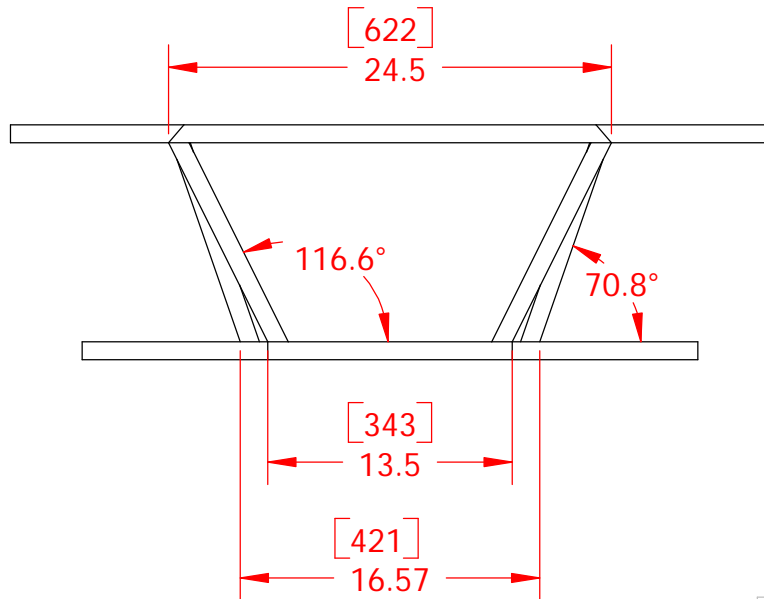
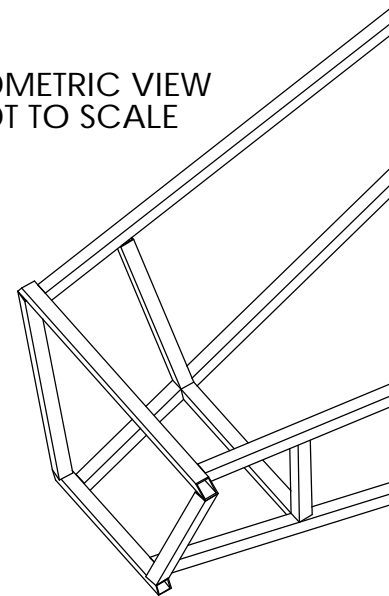
MATERIAL

DO NOT SCALE DRAWING

SIZE A	DWG. NO. Chassis	REV.
SCALE:1:1	WEIGHT:	SHEET 2 OF 2



ISOMETRIC VIEW
NOT TO SCALE



FOR EDUCATIONAL USE ONLY
THE INFORMATION CONTAINED IN THIS DRAWING IS NOT INTENDED FOR USE IN THE CONSTRUCTION OR MANUFACTURE OF PARTS. THE INFORMATION IS PROVIDED WITHOUT WARRANTY FOR EDUCATIONAL REFERENCE ONLY.

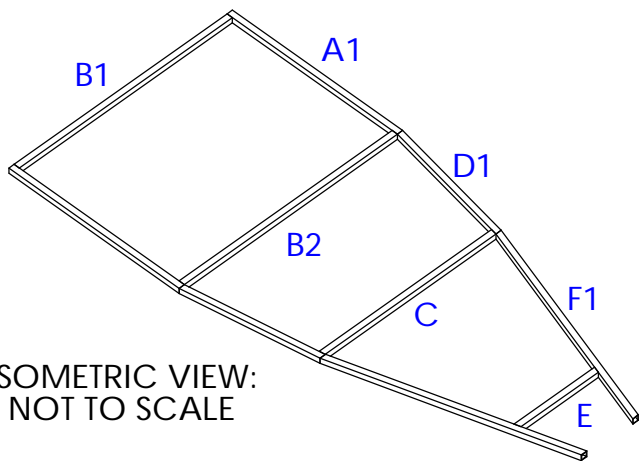
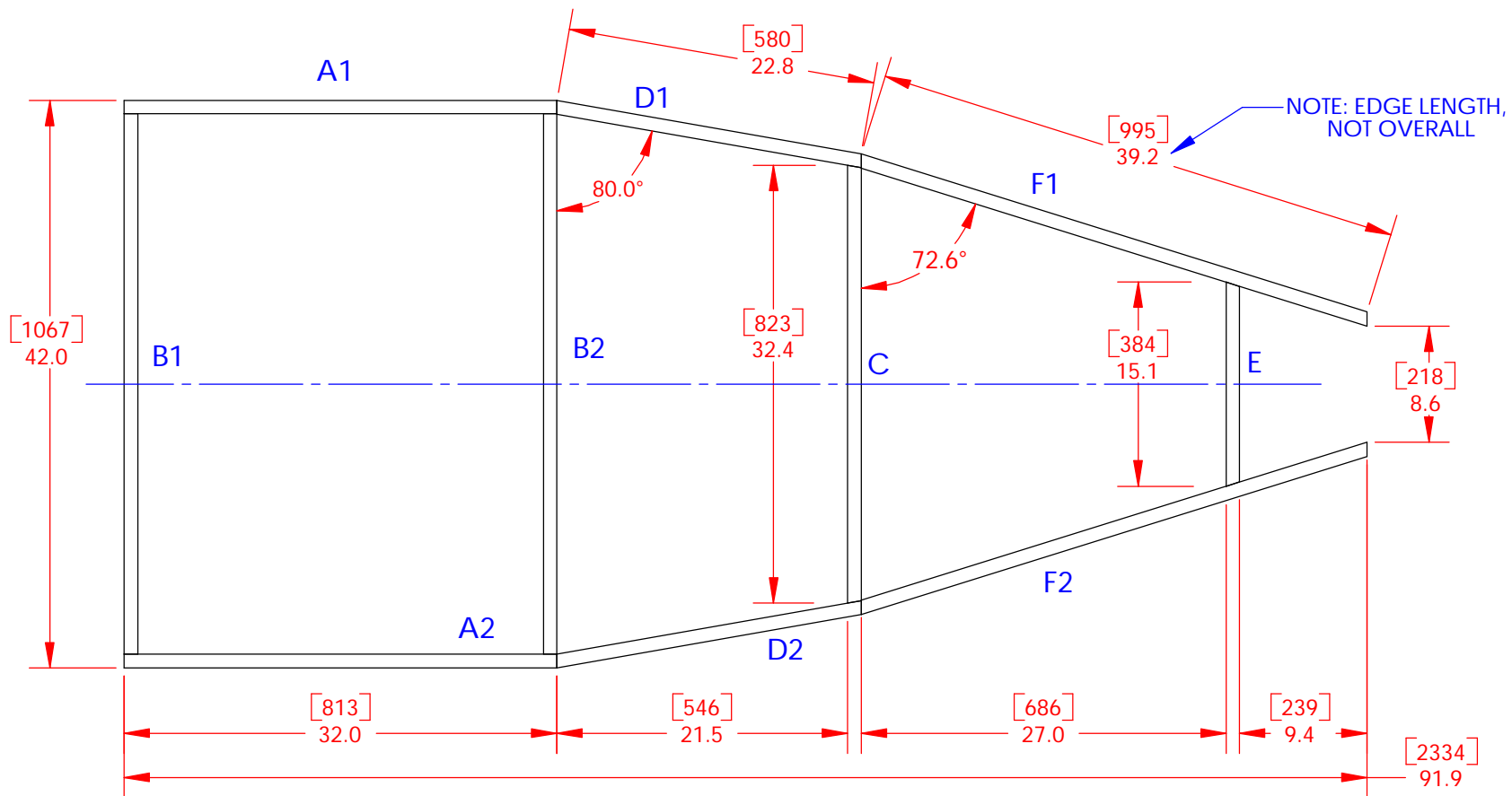
DIMENSIONS ARE IN INCHES
TOLERANCES:
FRACTIONAL ± 1/32
ANGULAR ± 1°
TWO PLACE DECIMAL ± .03
THREE PLACE DECIMAL ± .010

MATERIAL
DO NOT SCALE DRAWING

BOOK CHASSIS

**FRONT END
DETAIL**

SIZE A	DWG. NO. Chassis	REV.
SCALE:1:10	WEIGHT:	SHEET 1 OF 1

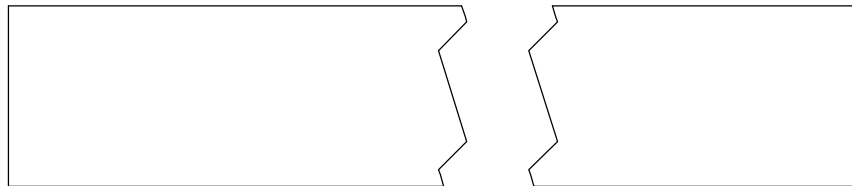
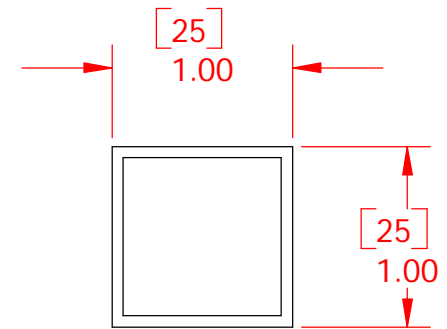
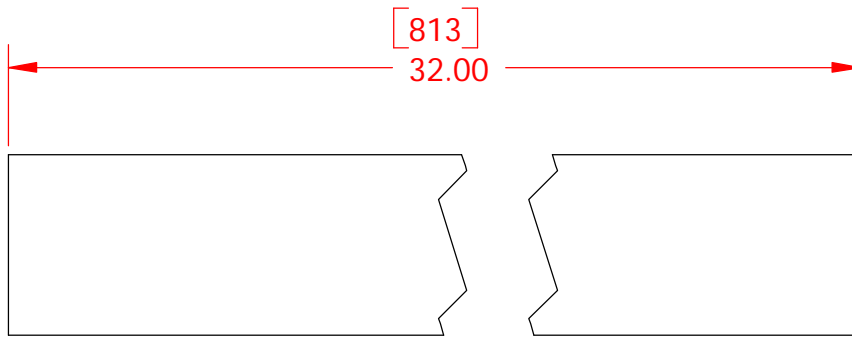


FOR EDUCATIONAL USE ONLY

THE INFORMATION CONTAINED IN THIS DRAWING IS NOT INTENDED FOR USE IN THE CONSTRUCTION OR MANUFACTURE OF PARTS. THE INFORMATION IS PROVIDED WITHOUT WARRANTY FOR EDUCATIONAL REFERENCE ONLY.

DIMENSIONS ARE IN INCHES	
TOLERANCES:	
FRACTIONAL ± 1/32	
ANGULAR ± 1°	
TWO PLACE DECIMAL ± .03	
THREE PLACE DECIMAL ± .010	
MATERIAL	
STEEL - RHS	
1"x1", 16swg	
DO NOT SCALE DRAWING	

BOOK CHASSIS		
BOTTOM RAIL LAYOUT		
SIZE	DWG. NO.	REV.
A	bookFrame	
SCALE:1:12	WEIGHT:	SHEET 1 OF 1



FOR EDUCATIONAL USE ONLY

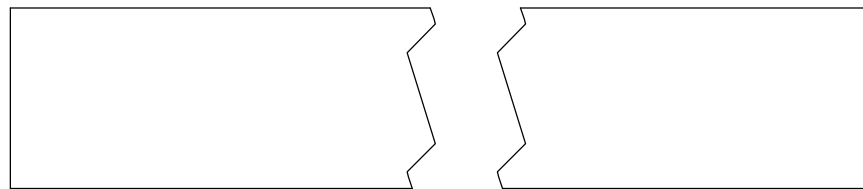
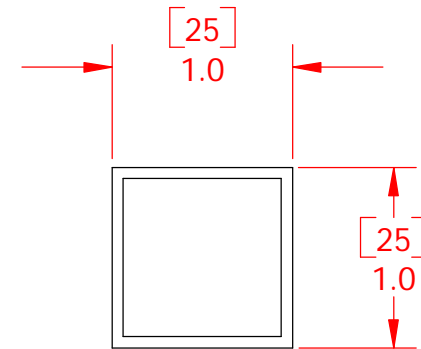
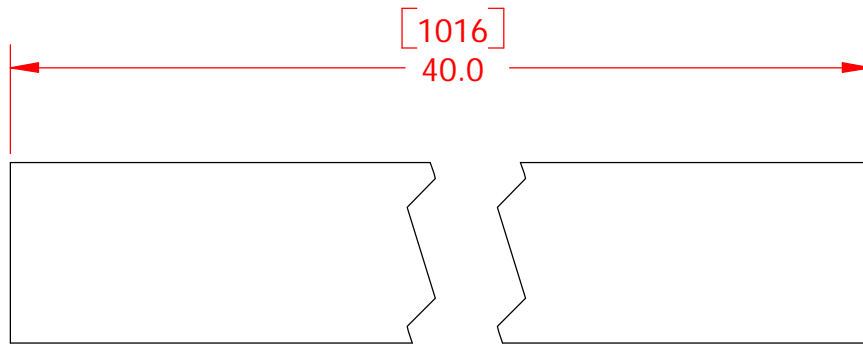
THE INFORMATION CONTAINED IN THIS DRAWING IS NOT INTENDED FOR USE IN THE CONSTRUCTION OR MANUFACTURE OF PARTS. THE INFORMATION IS PROVIDED WITHOUT WARRANTY FOR EDUCATIONAL REFERENCE ONLY.

DIMENSIONS ARE IN INCHES
 TOLERANCES:
 FRACTIONAL $\pm 1/32$
 ANGULAR $\pm 1^\circ$
 TWO PLACE DECIMAL $\pm .03$
 THREE PLACE DECIMAL $\pm .010$

MATERIAL
STEEL - RHS
1"x1", 16swg

DO NOT SCALE DRAWING

BOOK CHASSIS		
COCKPIT BOTTOM SIDE RAIL (A1 & A2)		
SIZE A	DWG. NO. A	REV.
SCALE:1:1	WEIGHT:	SHEET 1 OF 1

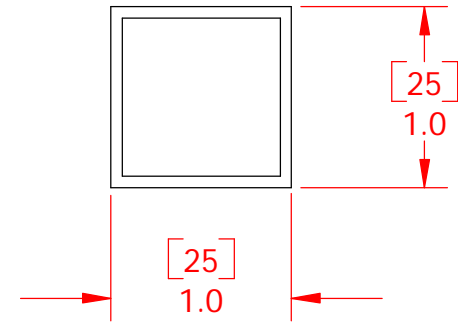
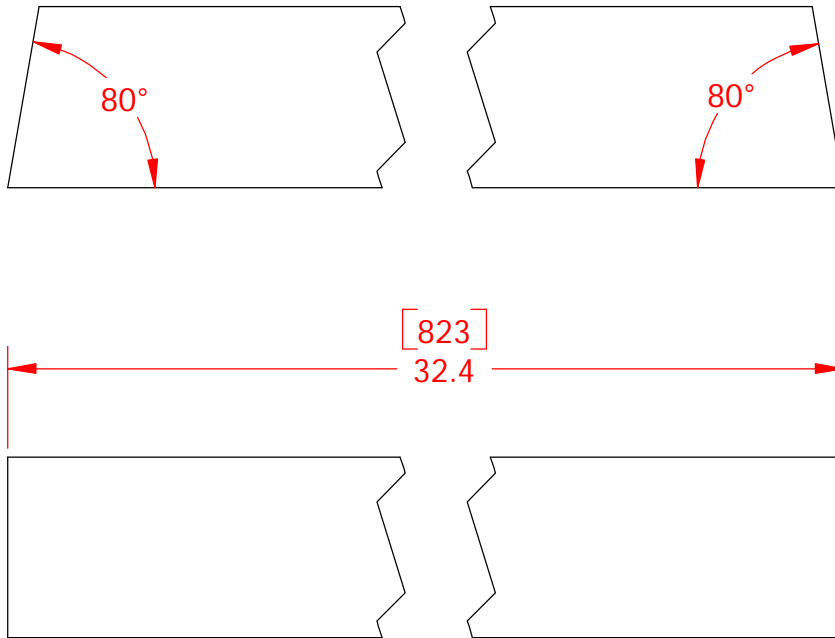


DIMENSIONS ARE IN INCHES
 TOLERANCES:
 FRACTIONAL $\pm 1/32$
 ANGULAR $\pm 1^\circ$
 TWO PLACE DECIMAL $\pm .03$
 THREE PLACE DECIMAL $\pm .010$

FOR EDUCATIONAL USE ONLY
 THE INFORMATION CONTAINED IN THIS
 DRAWING IS NOT INTENDED FOR USE IN
 THE CONSTRUCTION OR MANUFACTURE
 OF PARTS. THE INFORMATION IS PROVIDED
 WITHOUT WARRANTY FOR EDUCATIONAL
 REFERENCE ONLY.

MATERIAL
STEEL - RHS
1"x1", 16swg
 DO NOT SCALE DRAWING

BOOK CHASSIS		
COCKPIT BOTTOM CROSS RAIL (B1 & B2)		
SIZE A	DWG. NO. B	REV.
SCALE:1:1	WEIGHT:	SHEET 1 OF 1



DIMENSIONS ARE IN INCHES
 TOLERANCES:
 FRACTIONAL $\pm 1/32$
 ANGULAR $\pm 1^\circ$
 TWO PLACE DECIMAL $\pm .03$
 THREE PLACE DECIMAL $\pm .010$

MATERIAL
 STEEL - RHS
 1"x1", 16swg

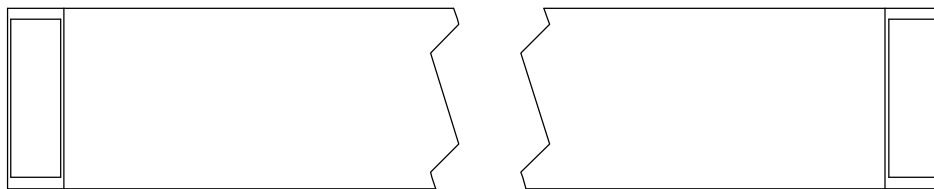
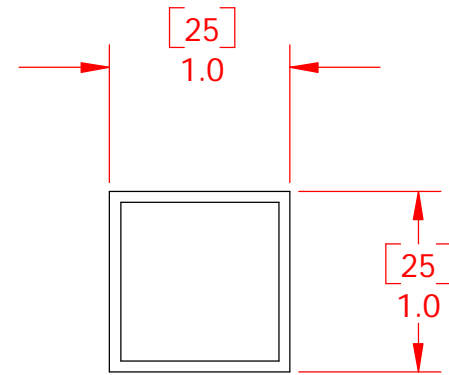
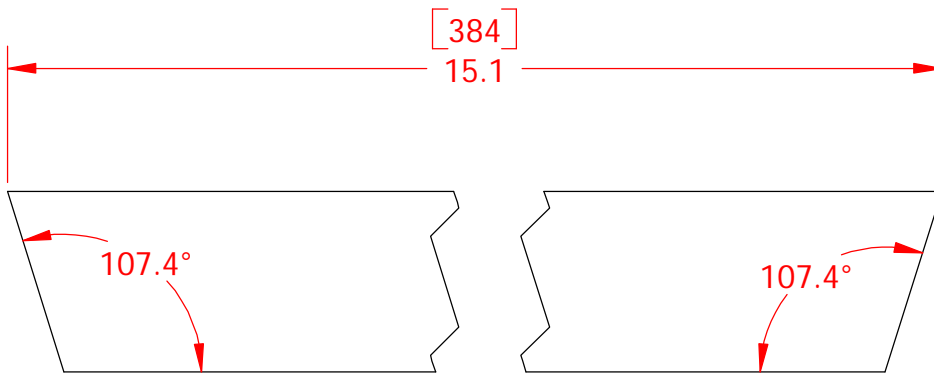
DO NOT SCALE DRAWING

BOOK CHASSIS

FRONT BULKHEAD BOTTOM CROSS RAIL (C)

SIZE A	DWG. NO. C	REV.
SCALE:1:1	WEIGHT:	SHEET 1 OF 1

FOR EDUCATIONAL USE ONLY
 THE INFORMATION CONTAINED IN THIS DRAWING IS NOT INTENDED FOR USE IN THE CONSTRUCTION OR MANUFACTURE OF PARTS. THE INFORMATION IS PROVIDED WITHOUT WARRANTY FOR EDUCATIONAL REFERENCE ONLY.



DIMENSIONS ARE IN INCHES
TOLERANCES:
FRACTIONAL $\pm 1/32$
ANGULAR $\pm 1^\circ$
TWO PLACE DECIMAL $\pm .03$
THREE PLACE DECIMAL $\pm .010$

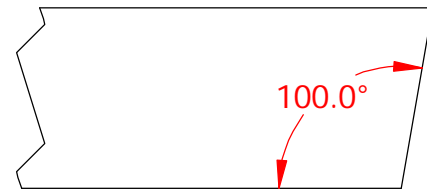
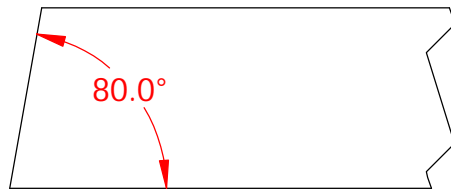
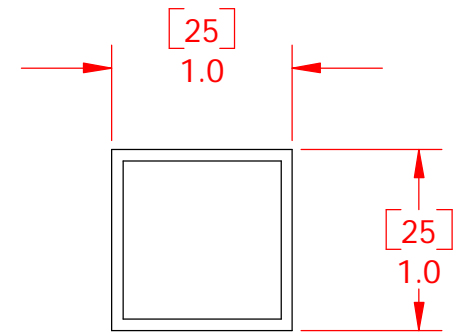
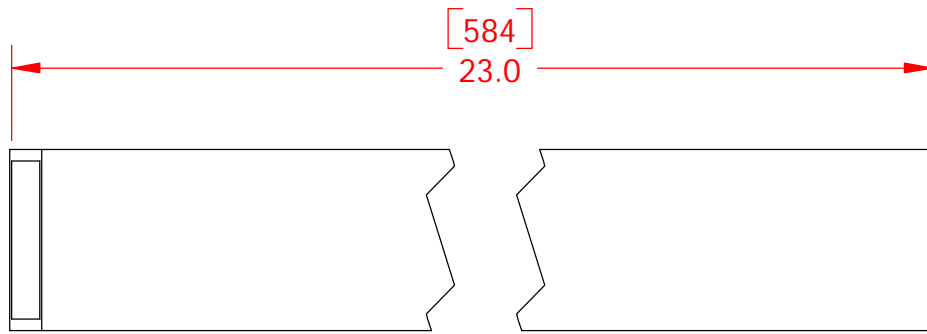
FOR EDUCATIONAL USE ONLY
THE INFORMATION CONTAINED IN THIS DRAWING IS NOT INTENDED FOR USE IN THE CONSTRUCTION OR MANUFACTURE OF PARTS. THE INFORMATION IS PROVIDED WITHOUT WARRANTY FOR EDUCATIONAL REFERENCE ONLY.

MATERIAL
**STEEL - RHS
1"x1", 16swg**
DO NOT SCALE DRAWING

BOOK CHASSIS

**FRONT ENGINE BAY
BOTTOM CROSS RAIL
(E)**

SIZE A	DWG. NO. E	REV.
SCALE:1:1	WEIGHT:	SHEET 1 OF 1



DIMENSIONS ARE IN INCHES
 TOLERANCES:
 FRACTIONAL $\pm 1/32$
 ANGULAR $\pm 1^\circ$
 TWO PLACE DECIMAL $\pm .03$
 THREE PLACE DECIMAL $\pm .010$

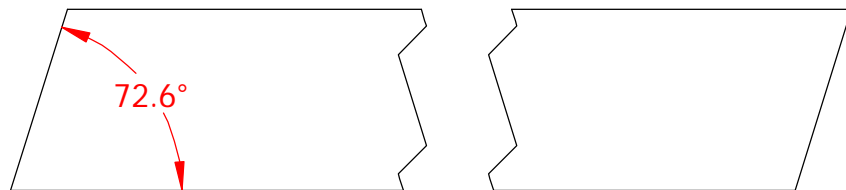
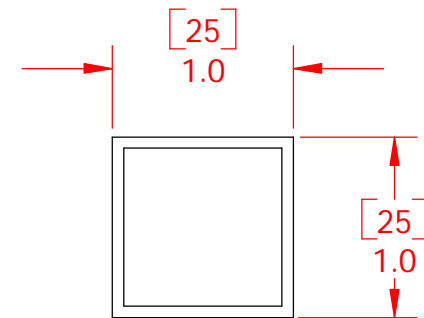
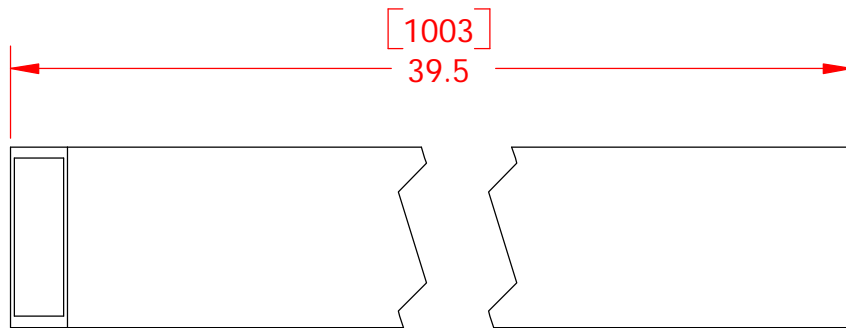
BOOK CHASSIS

COCKPIT BOTTOM FRONT SIDE RAIL (D1 & D2)

FOR EDUCATIONAL USE ONLY
 THE INFORMATION CONTAINED IN THIS DRAWING IS NOT INTENDED FOR USE IN THE CONSTRUCTION OR MANUFACTURE OF PARTS. THE INFORMATION IS PROVIDED WITHOUT WARRANTY FOR EDUCATIONAL REFERENCE ONLY.

MATERIAL
**STEEL - RHS
 1"x1", 16swg**
 DO NOT SCALE DRAWING

SIZE A	DWG. NO. D	REV.
SCALE:1:1	WEIGHT:	SHEET 1 OF 1



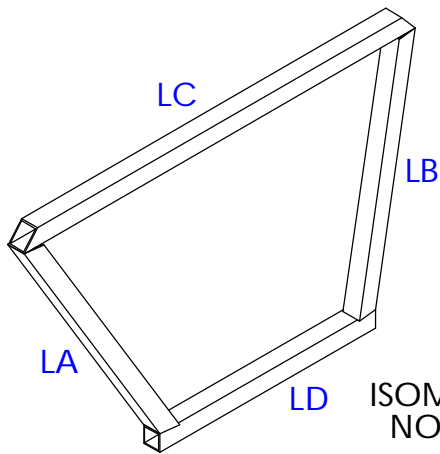
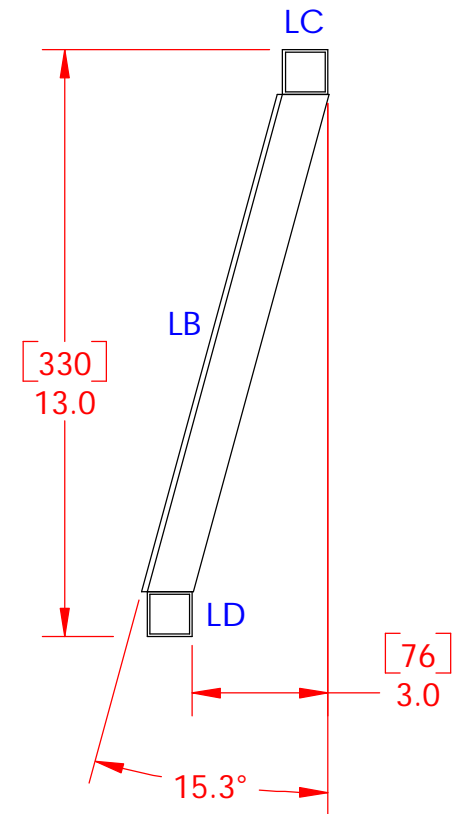
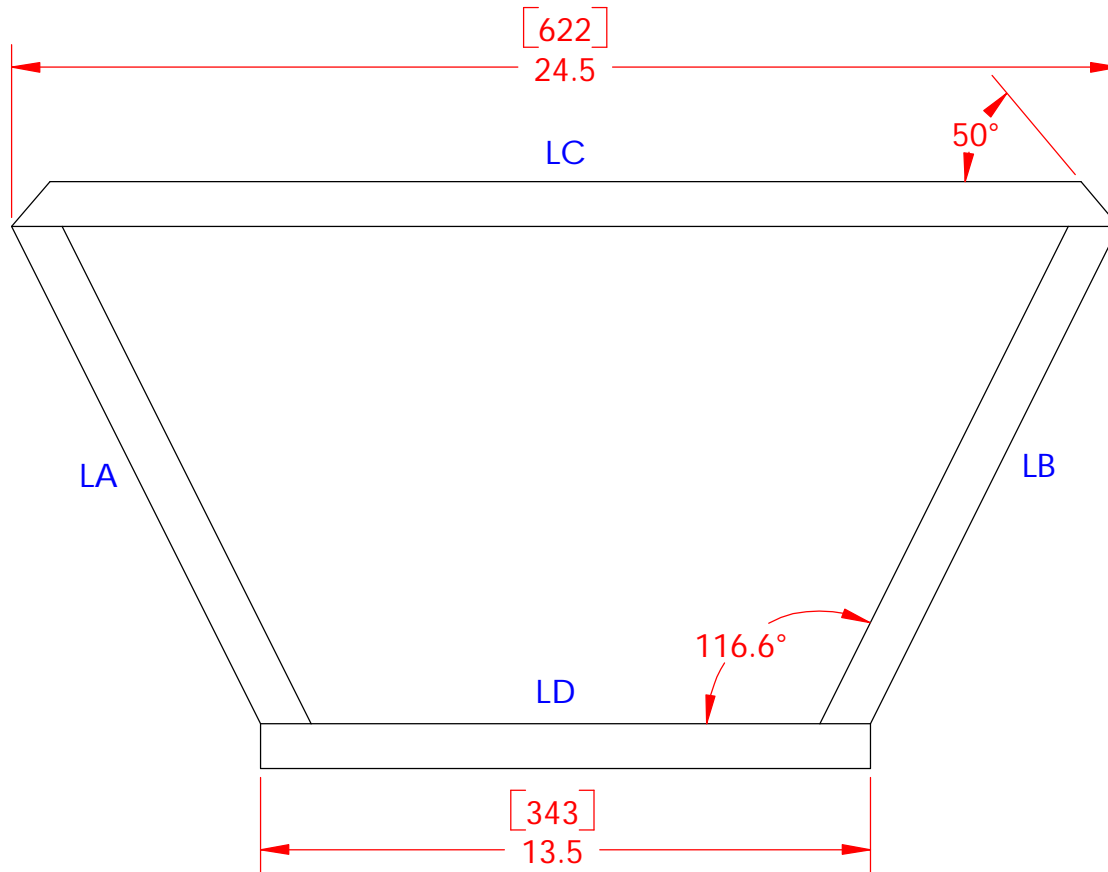
DIMENSIONS ARE IN INCHES
 TOLERANCES:
 FRACTIONAL $\pm 1/32$
 ANGULAR $\pm 1^\circ$
 TWO PLACE DECIMAL $\pm .03$
 THREE PLACE DECIMAL $\pm .010$

BOOK CHASSIS
ENGINE BAY
BOTTOM SIDE RAIL
(F1 & F2)

FOR EDUCATIONAL USE ONLY
 THE INFORMATION CONTAINED IN THIS DRAWING IS NOT INTENDED FOR USE IN THE CONSTRUCTION OR MANUFACTURE OF PARTS. THE INFORMATION IS PROVIDED WITHOUT WARRANTY FOR EDUCATIONAL REFERENCE ONLY.

MATERIAL
STEEL - RHS
1"x1", 16swg
 DO NOT SCALE DRAWING

SIZE A	DWG. NO. F	REV.
SCALE:1:1	WEIGHT:	SHEET 1 OF 1

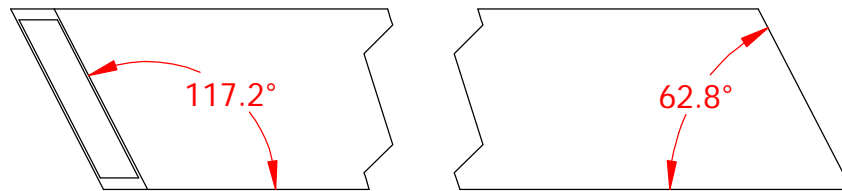
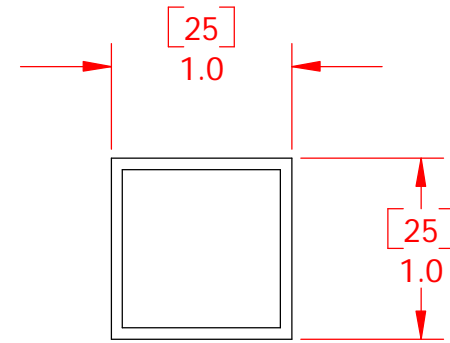
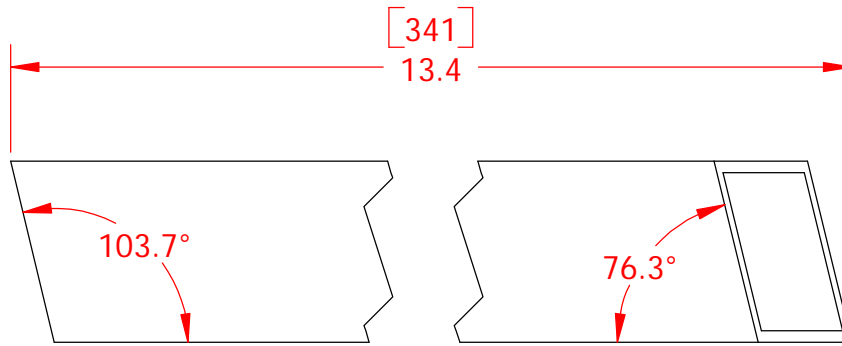


ISOMETRIC VIEW:
NOT TO SCALE

FOR EDUCATIONAL USE ONLY
 THE INFORMATION CONTAINED IN THIS DRAWING IS NOT INTENDED FOR USE IN THE CONSTRUCTION OR MANUFACTURE OF PARTS. THE INFORMATION IS PROVIDED WITHOUT WARRANTY FOR EDUCATIONAL REFERENCE ONLY.

DIMENSIONS ARE IN INCHES	
TOLERANCES:	
FRACTIONAL $\pm 1/32$	
ANGULAR $\pm 1^\circ$	
TWO PLACE DECIMAL $\pm .03$	
THREE PLACE DECIMAL $\pm .010$	
MATERIAL	
STEEL - RHS	
1"x1", 16swg	
DO NOT SCALE DRAWING	

BOOK CHASSIS		
FRONT END ASSEMBLY		
SIZE	DWG. NO.	REV.
A	frontEndAssembly	
SCALE:1:4	WEIGHT:	SHEET 1 OF 1



DIMENSIONS ARE IN INCHES
 TOLERANCES:
 FRACTIONAL $\pm 1/32$
 ANGULAR $\pm 1^\circ$
 TWO PLACE DECIMAL $\pm .03$
 THREE PLACE DECIMAL $\pm .010$

BOOK CHASSIS

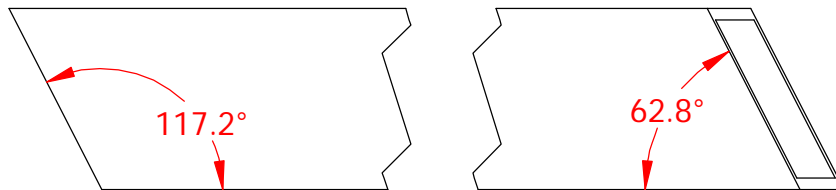
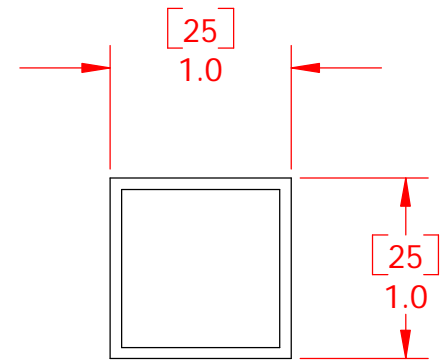
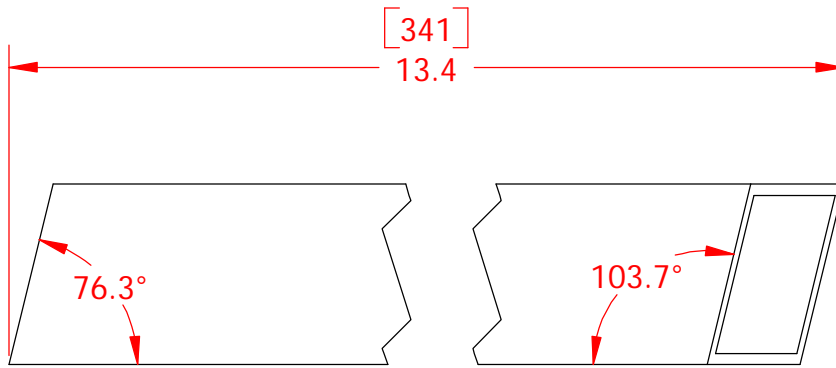
FRONT END LEFT SIDE MEMBER (LA)

FOR EDUCATIONAL USE ONLY
 THE INFORMATION CONTAINED IN THIS
 DRAWING IS NOT INTENDED FOR USE IN
 THE CONSTRUCTION OR MANUFACTURE
 OF PARTS. THE INFORMATION IS PROVIDED
 WITHOUT WARRANTY FOR EDUCATIONAL
 REFERENCE ONLY.

MATERIAL
**STEEL - RHS
 1"x1", 16swg**

DO NOT SCALE DRAWING

SIZE A	DWG. NO. LA	REV.
SCALE:1:1	WEIGHT:	SHEET 1 OF 1



DIMENSIONS ARE IN INCHES
 TOLERANCES:
 FRACTIONAL $\pm 1/32$
 ANGULAR $\pm 1^\circ$
 TWO PLACE DECIMAL $\pm .03$
 THREE PLACE DECIMAL $\pm .010$

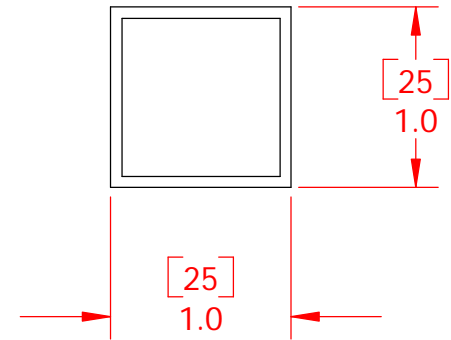
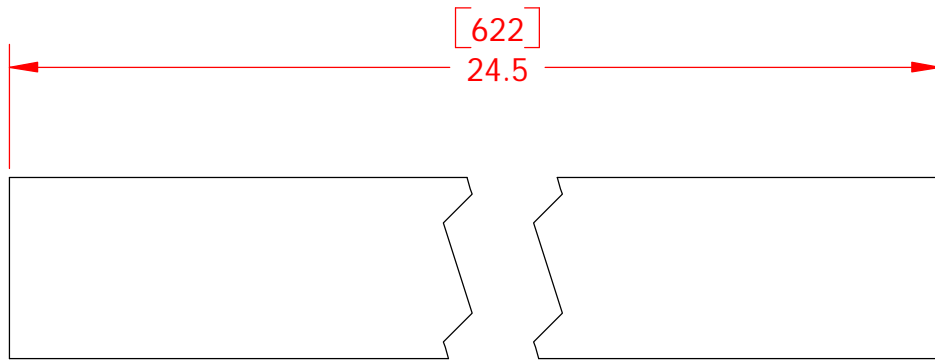
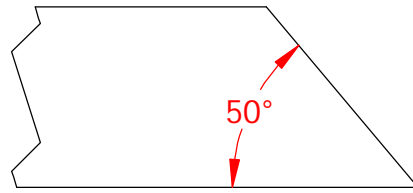
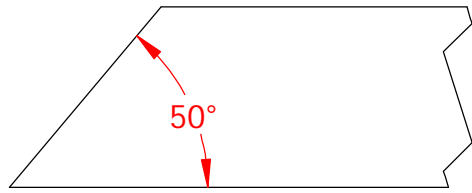
BOOK CHASSIS

FRONT END RIGHT SIDE MEMBER (LB)

FOR EDUCATIONAL USE ONLY
 THE INFORMATION CONTAINED IN THIS DRAWING IS NOT INTENDED FOR USE IN THE CONSTRUCTION OR MANUFACTURE OF PARTS. THE INFORMATION IS PROVIDED WITHOUT WARRANTY FOR EDUCATIONAL REFERENCE ONLY.

MATERIAL
**STEEL - RHS
 1"x1", 16swg**
 DO NOT SCALE DRAWING

SIZE A	DWG. NO. LB	REV.
SCALE:1:1	WEIGHT:	SHEET 1 OF 1



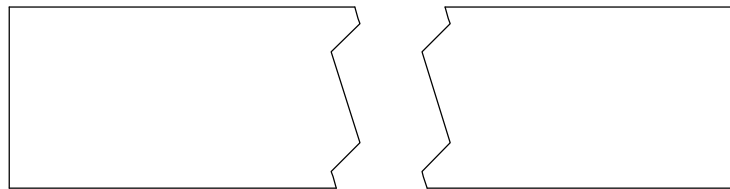
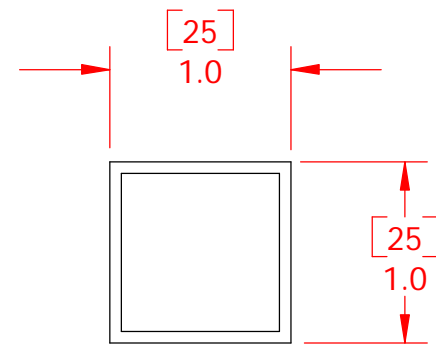
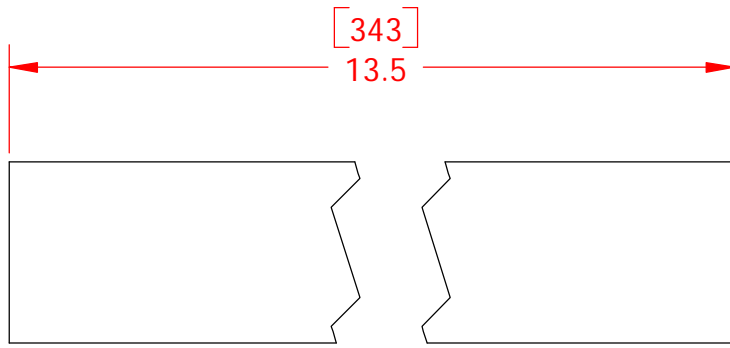
DIMENSIONS ARE IN INCHES
 TOLERANCES:
 FRACTIONAL $\pm 1/32$
 ANGULAR $\pm 1^\circ$
 TWO PLACE DECIMAL $\pm .03$
 THREE PLACE DECIMAL $\pm .010$

BOOK CHASSIS
FRONT END
TOP CROSS RAIL
(LC)

FOR EDUCATIONAL USE ONLY
 THE INFORMATION CONTAINED IN THIS DRAWING IS NOT INTENDED FOR USE IN THE CONSTRUCTION OR MANUFACTURE OF PARTS. THE INFORMATION IS PROVIDED WITHOUT WARRANTY FOR EDUCATIONAL REFERENCE ONLY.

MATERIAL
STEEL - RHS
1"x1", 16swg
 DO NOT SCALE DRAWING

SIZE A	DWG. NO. LC	REV.
SCALE:1:1	WEIGHT:	SHEET 1 OF 1



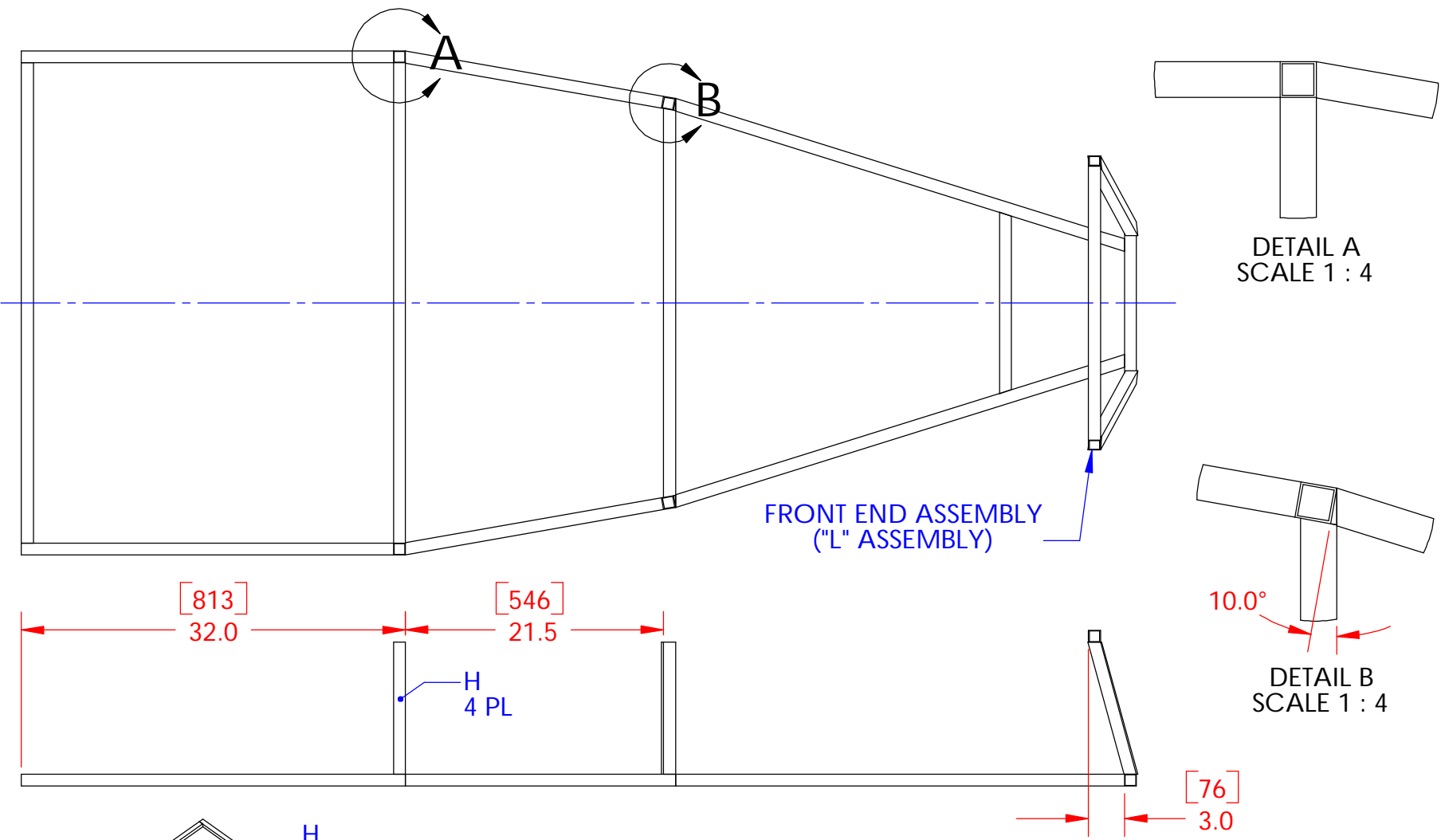
DIMENSIONS ARE IN INCHES
 TOLERANCES:
 FRACTIONAL $\pm 1/32$
 ANGULAR $\pm 1^\circ$
 TWO PLACE DECIMAL $\pm .03$
 THREE PLACE DECIMAL $\pm .010$

FOR EDUCATIONAL USE ONLY
 THE INFORMATION CONTAINED IN THIS DRAWING IS NOT INTENDED FOR USE IN THE CONSTRUCTION OR MANUFACTURE OF PARTS. THE INFORMATION IS PROVIDED WITHOUT WARRANTY FOR EDUCATIONAL REFERENCE ONLY.

MATERIAL
STEEL - RHS
1"x1", 16swg

DO NOT SCALE DRAWING

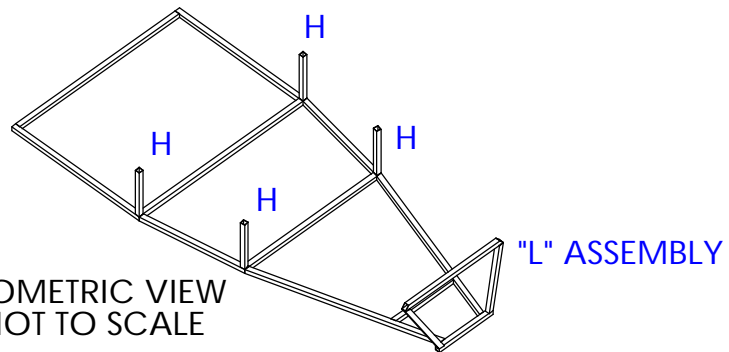
BOOK CHASSIS		
FRONT END BOTTOM CROSS RAIL (LD)		
SIZE A	DWG. NO. LD	REV.
SCALE:1:1	WEIGHT:	SHEET 1 OF 1



DETAIL A
SCALE 1 : 4

DETAIL B
SCALE 1 : 4

FRONT END ASSEMBLY
("L" ASSEMBLY)



ISOMETRIC VIEW
NOT TO SCALE

"L" ASSEMBLY

DIMENSIONS ARE IN INCHES
TOLERANCES:
FRACTIONAL $\pm 1/32$
ANGULAR $\pm 1^\circ$
TWO PLACE DECIMAL $\pm .03$
THREE PLACE DECIMAL $\pm .010$

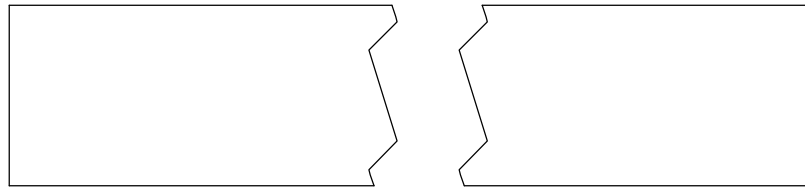
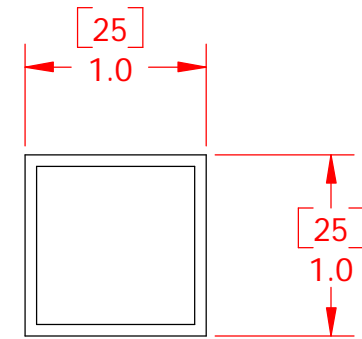
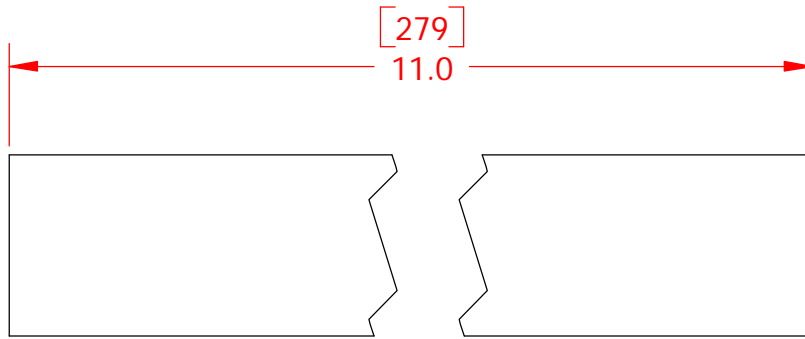
MATERIAL
STEEL - RHS
1"x1", 16swg

DO NOT SCALE DRAWING

FOR EDUCATIONAL USE ONLY
THE INFORMATION CONTAINED IN THIS DRAWING IS NOT INTENDED FOR USE IN THE CONSTRUCTION OR MANUFACTURE OF PARTS. THE INFORMATION IS PROVIDED WITHOUT WARRANTY FOR EDUCATIONAL REFERENCE ONLY.

BOOK CHASSIS
BOTTOM UPRIGHT
RAIL LAYOUT

SIZE A	DWG. NO. bookFrame	REV.
SCALE:1:12	WEIGHT:	SHEET 1 OF 1



DIMENSIONS ARE IN INCHES
 TOLERANCES:
 FRACTIONAL $\pm 1/32$
 ANGULAR $\pm 1^\circ$
 TWO PLACE DECIMAL $\pm .03$
 THREE PLACE DECIMAL $\pm .010$

BOOK CHASSIS

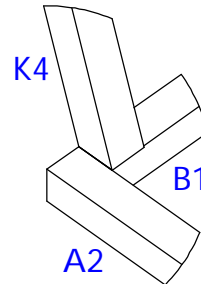
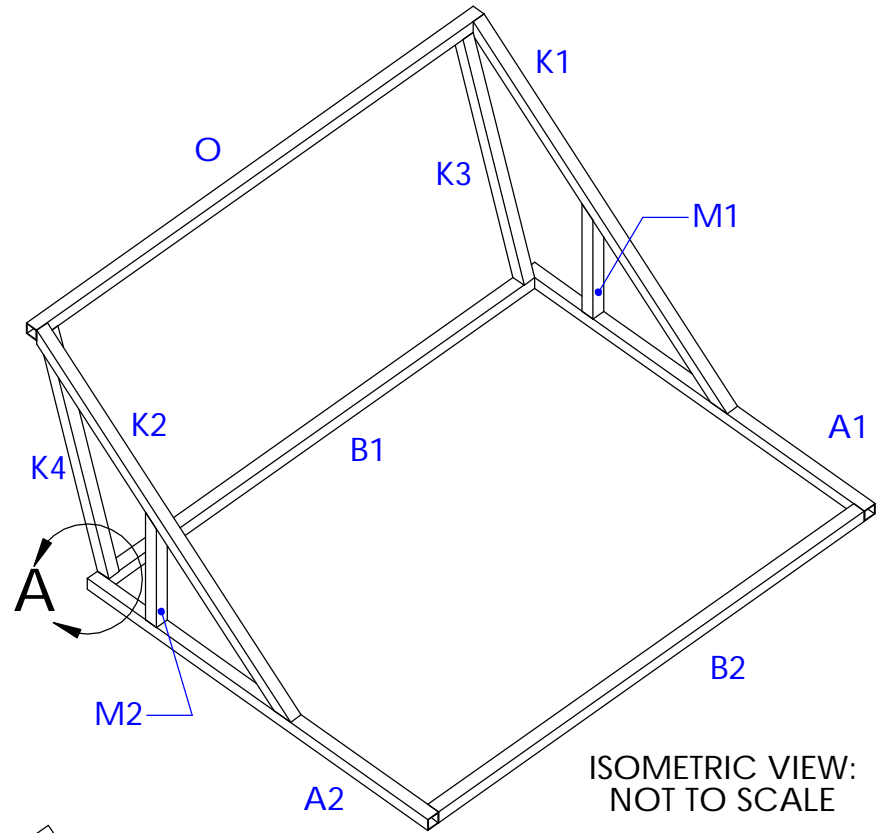
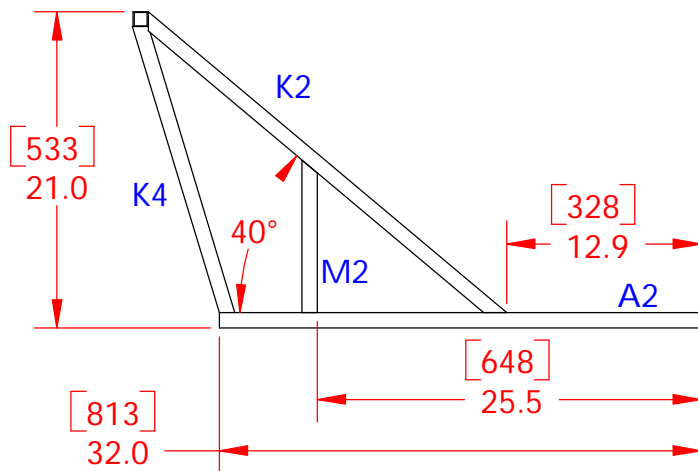
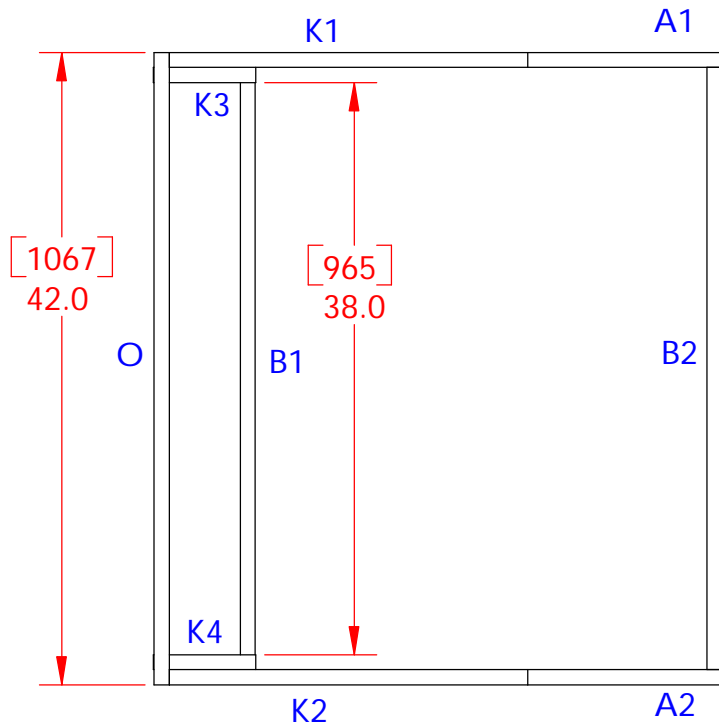
CENTER UPRIGHT (H)

FOR EDUCATIONAL USE ONLY
 THE INFORMATION CONTAINED IN THIS
 DRAWING IS NOT INTENDED FOR USE IN
 THE CONSTRUCTION OR MANUFACTURE
 OF PARTS. THE INFORMATION IS PROVIDED
 WITHOUT WARRANTY FOR EDUCATIONAL
 REFERENCE ONLY.

MATERIAL
**STEEL - RHS
 1"x1", 16swg**

DO NOT SCALE DRAWING

SIZE A	DWG. NO. H	REV.
SCALE:1:1	WEIGHT:	SHEET 1 OF 1



DETAIL A
SCALE 1 : 4

NOTE: ASSEMBLED PARTS FORWARD OF "B2" HIDDEN FOR CLARITY.

DIMENSIONS ARE IN INCHES
TOLERANCES:
FRACTIONAL $\pm 1/32$
ANGULAR $\pm 1^\circ$
TWO PLACE DECIMAL $\pm .03$
THREE PLACE DECIMAL $\pm .010$

MATERIAL
STEEL - RHS
1"X1", 16swg

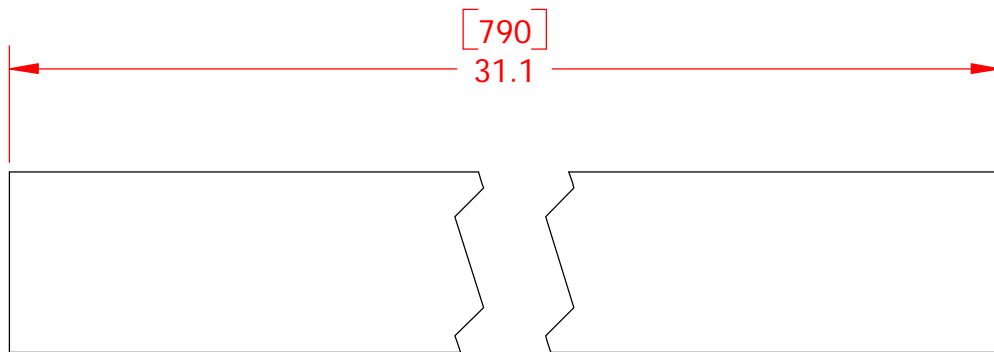
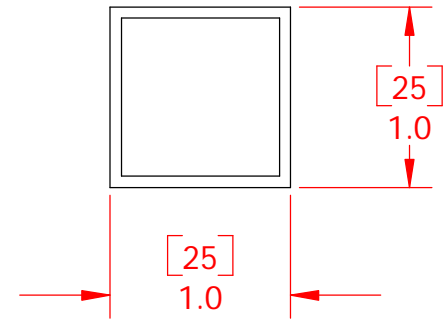
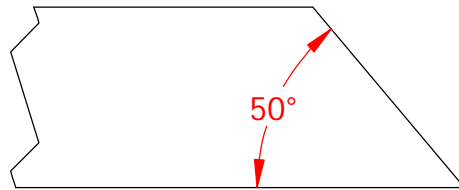
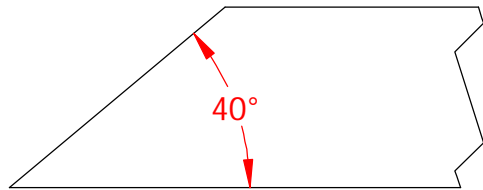
DO NOT SCALE DRAWING

BOOK CHASSIS

REAR BULKHEAD SIDE RAIL LAYOUT

SIZE A	DWG. NO. bookFrame	REV.
SCALE:1:1	WEIGHT:	SHEET 1 OF 1

FOR EDUCATIONAL USE ONLY
THE INFORMATION CONTAINED IN THIS DRAWING IS NOT INTENDED FOR USE IN THE CONSTRUCTION OR MANUFACTURE OF PARTS. THE INFORMATION IS PROVIDED WITHOUT WARRANTY FOR EDUCATIONAL REFERENCE ONLY.



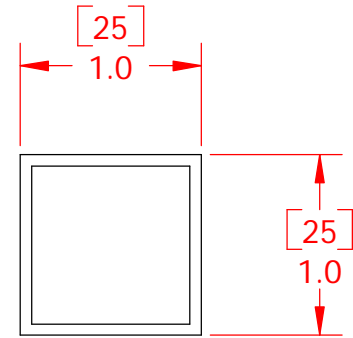
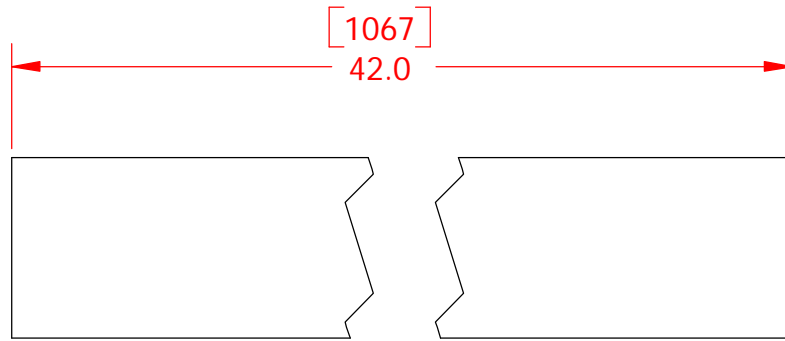
DIMENSIONS ARE IN INCHES
 TOLERANCES:
 FRACTIONAL $\pm 1/32$
 ANGULAR $\pm 1^\circ$
 TWO PLACE DECIMAL $\pm .03$
 THREE PLACE DECIMAL $\pm .010$

BOOK CHASSIS
REAR BULKHEAD
SIDE MEMBER
(K1 & K2)

FOR EDUCATIONAL USE ONLY
 THE INFORMATION CONTAINED IN THIS
 DRAWING IS NOT INTENDED FOR USE IN
 THE CONSTRUCTION OR MANUFACTURE
 OF PARTS. THE INFORMATION IS PROVIDED
 WITHOUT WARRANTY FOR EDUCATIONAL
 REFERENCE ONLY.

MATERIAL
STEEL - RHS
1"x1", 16swg
 DO NOT SCALE DRAWING

SIZE A	DWG. NO. K1_2	REV.
SCALE:1:1	WEIGHT:	SHEET 1 OF 1



DIMENSIONS ARE IN INCHES
 TOLERANCES:
 FRACTIONAL $\pm 1/32$
 ANGULAR $\pm 1^\circ$
 TWO PLACE DECIMAL $\pm .03$
 THREE PLACE DECIMAL $\pm .010$

BOOK CHASSIS

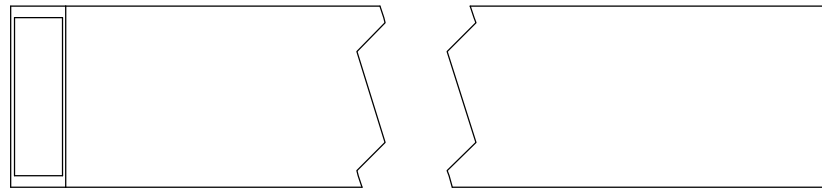
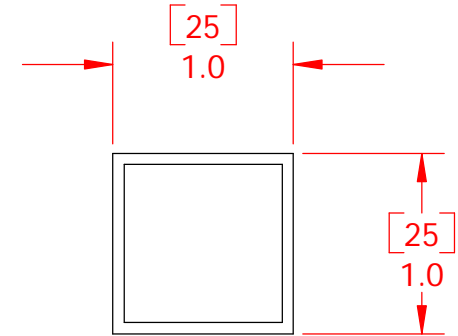
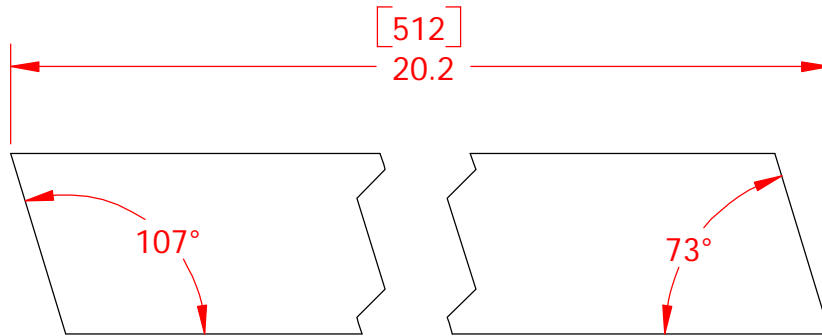
REAR BULKHEAD TOP CROSS RAIL (O)

FOR EDUCATIONAL USE ONLY
 THE INFORMATION CONTAINED IN THIS
 DRAWING IS NOT INTENDED FOR USE IN
 THE CONSTRUCTION OR MANUFACTURE
 OF PARTS. THE INFORMATION IS PROVIDED
 WITHOUT WARRANTY FOR EDUCATIONAL
 REFERENCE ONLY.

MATERIAL
**STEEL - RHS
 1"x1", 16swg**

DO NOT SCALE DRAWING

SIZE A	DWG. NO. O	REV.
SCALE:1:1	WEIGHT:	SHEET 1 OF 1

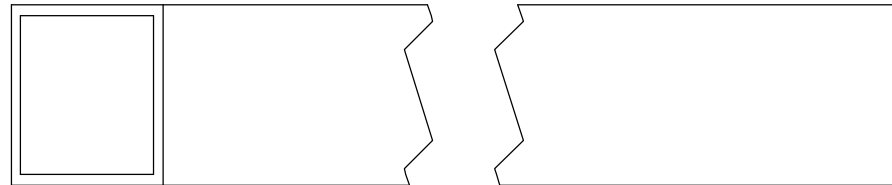
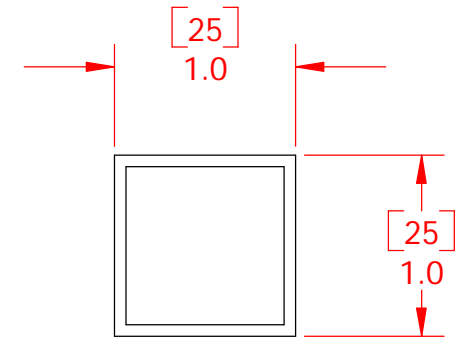
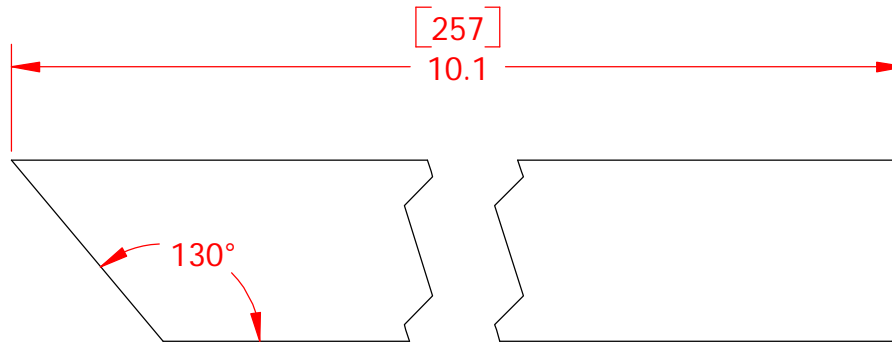


DIMENSIONS ARE IN INCHES
 TOLERANCES:
 FRACTIONAL $\pm 1/32$
 ANGULAR $\pm 1^\circ$
 TWO PLACE DECIMAL $\pm .03$
 THREE PLACE DECIMAL $\pm .010$

FOR EDUCATIONAL USE ONLY
 THE INFORMATION CONTAINED IN THIS DRAWING IS NOT INTENDED FOR USE IN THE CONSTRUCTION OR MANUFACTURE OF PARTS. THE INFORMATION IS PROVIDED WITHOUT WARRANTY FOR EDUCATIONAL REFERENCE ONLY.

MATERIAL
STEEL - RHS
1"x1", 16swg
 DO NOT SCALE DRAWING

BOOK CHASSIS		
REAR BULKHEAD TOP CROSS RAIL SUPPORT (K3 & K4)		
SIZE A	DWG. NO. K3_4	REV.
SCALE:1:1	WEIGHT:	SHEET 1 OF 1

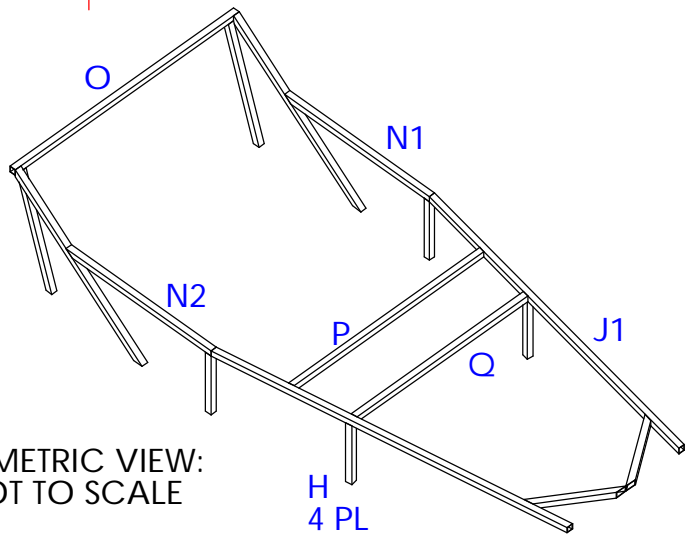
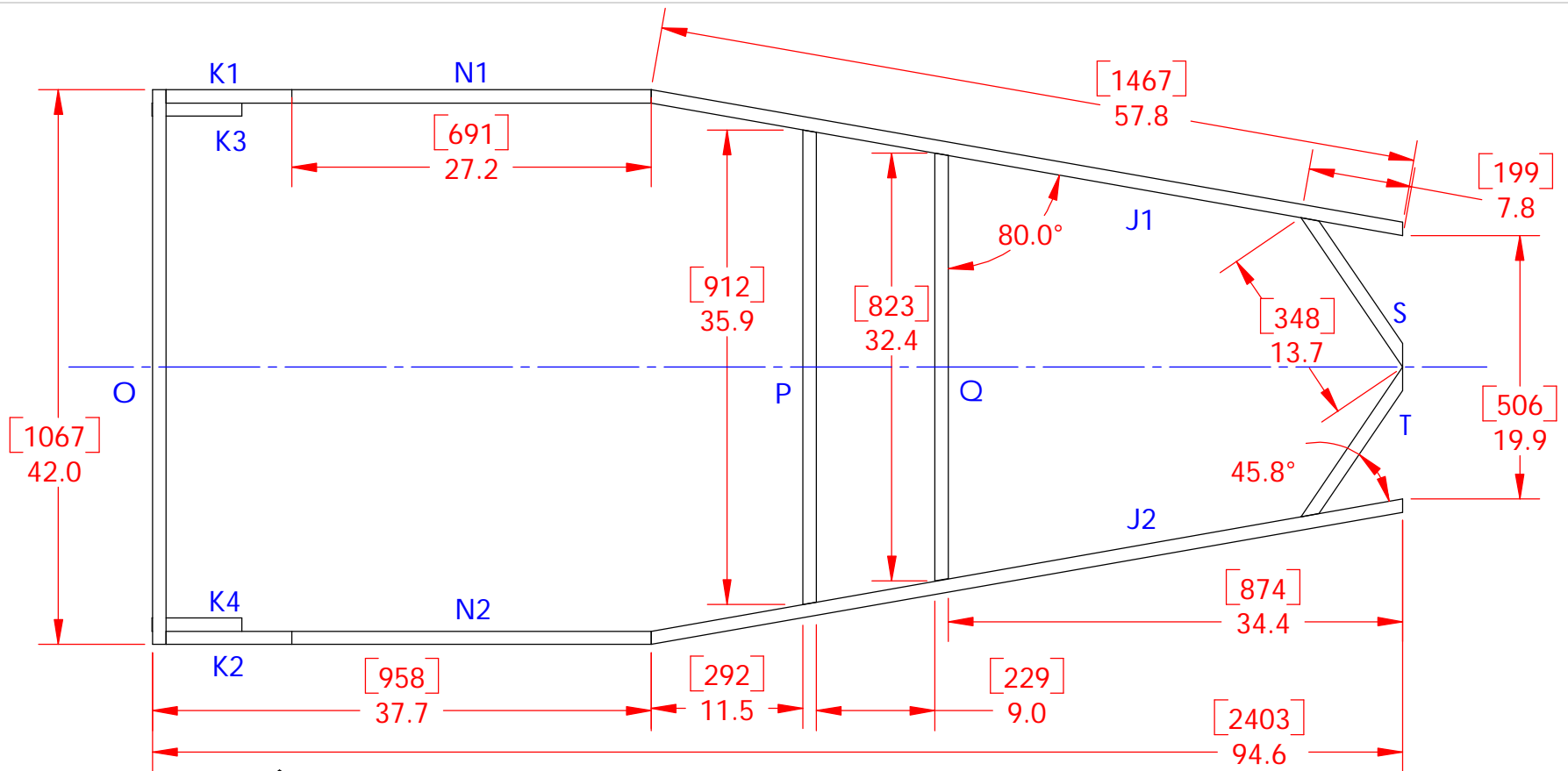


DIMENSIONS ARE IN INCHES
 TOLERANCES:
 FRACTIONAL $\pm 1/32$
 ANGULAR $\pm 1^\circ$
 TWO PLACE DECIMAL $\pm .03$
 THREE PLACE DECIMAL $\pm .010$

FOR EDUCATIONAL USE ONLY
 THE INFORMATION CONTAINED IN THIS DRAWING IS NOT INTENDED FOR USE IN THE CONSTRUCTION OR MANUFACTURE OF PARTS. THE INFORMATION IS PROVIDED WITHOUT WARRANTY FOR EDUCATIONAL REFERENCE ONLY.

MATERIAL
STEEL - RHS
1"x1", 16swg
 DO NOT SCALE DRAWING

BOOK CHASSIS		
REAR BULKHEAD UPRIGHT SUPPORT (M1 & M2)		
SIZE A	DWG. NO. M	REV.
SCALE:1:1	WEIGHT:	SHEET 1 OF 1



NOTE: FRONT ASSEMBLY AND BOTTOM RAILS HIDDEN FOR CLARITY.

DIMENSIONS ARE IN INCHES
 TOLERANCES:
 FRACTIONAL $\pm 1/32$
 ANGULAR $\pm 1^\circ$
 TWO PLACE DECIMAL $\pm .03$
 THREE PLACE DECIMAL $\pm .010$

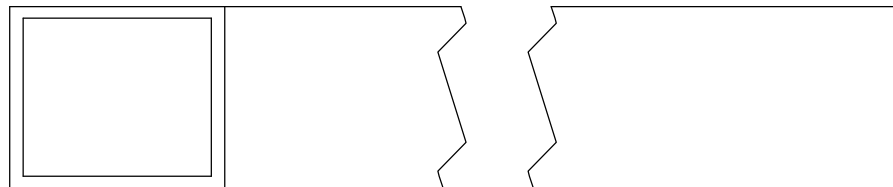
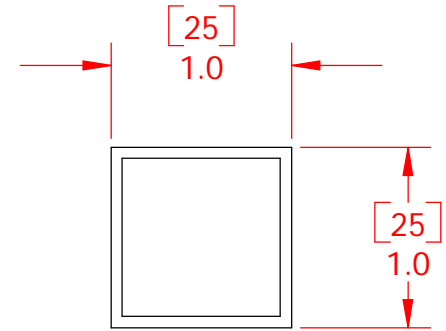
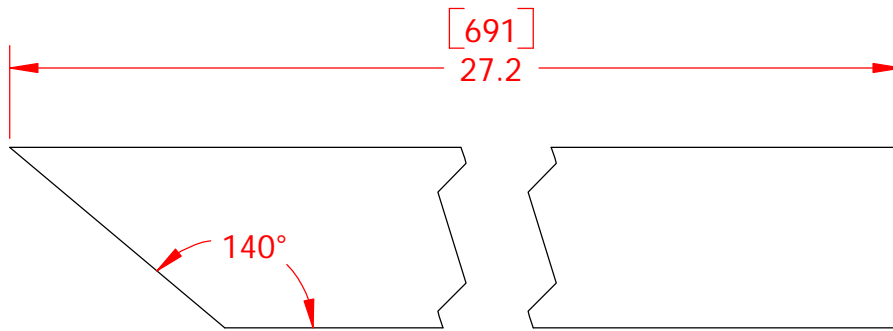
BOOK CHASSIS

TOP RAIL LAYOUT

FOR EDUCATIONAL USE ONLY
 THE INFORMATION CONTAINED IN THIS DRAWING IS NOT INTENDED FOR USE IN THE CONSTRUCTION OR MANUFACTURE OF PARTS. THE INFORMATION IS PROVIDED WITHOUT WARRANTY FOR EDUCATIONAL REFERENCE ONLY.

MATERIAL
 STEEL - RHS
 1"x1", 16swg
 DO NOT SCALE DRAWING

SIZE A	DWG. NO. bookFrame	REV.
SCALE:1:12	WEIGHT:	SHEET 1 OF 1



DIMENSIONS ARE IN INCHES
 TOLERANCES:
 FRACTIONAL $\pm 1/32$
 ANGULAR $\pm 1^\circ$
 TWO PLACE DECIMAL $\pm .03$
 THREE PLACE DECIMAL $\pm .010$

BOOK CHASSIS

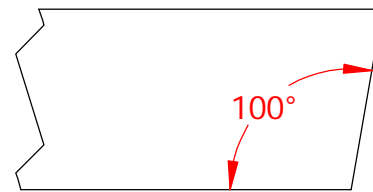
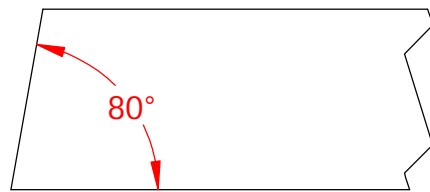
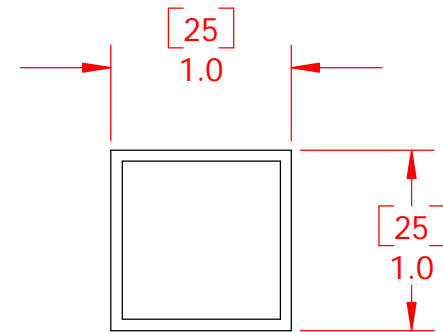
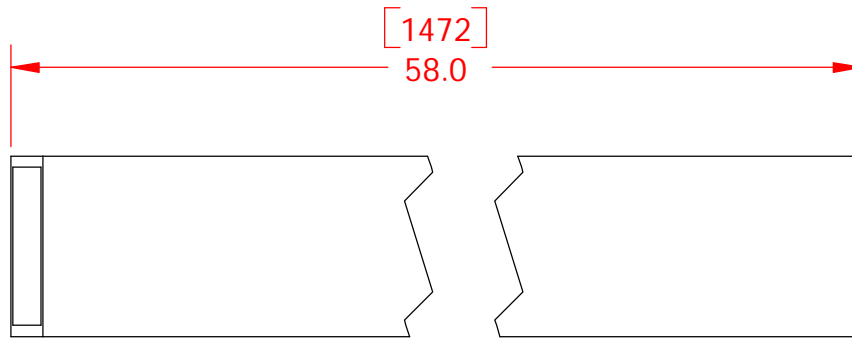
COCKPIT TOP SIDE RAIL (N1 & N2)

FOR EDUCATIONAL USE ONLY
 THE INFORMATION CONTAINED IN THIS
 DRAWING IS NOT INTENDED FOR USE IN
 THE CONSTRUCTION OR MANUFACTURE
 OF PARTS. THE INFORMATION IS PROVIDED
 WITHOUT WARRANTY FOR EDUCATIONAL
 REFERENCE ONLY.

MATERIAL
**STEEL - RHS
 1"x1", 16swg**

DO NOT SCALE DRAWING

SIZE A	DWG. NO. N	REV.
SCALE:1:1	WEIGHT:	SHEET 1 OF 1



DIMENSIONS ARE IN INCHES
 TOLERANCES:
 FRACTIONAL $\pm 1/32$
 ANGULAR $\pm 1^\circ$
 TWO PLACE DECIMAL $\pm .03$
 THREE PLACE DECIMAL $\pm .010$

BOOK CHASSIS

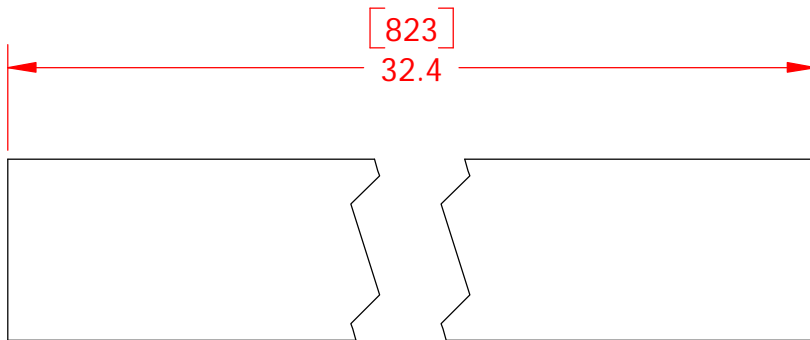
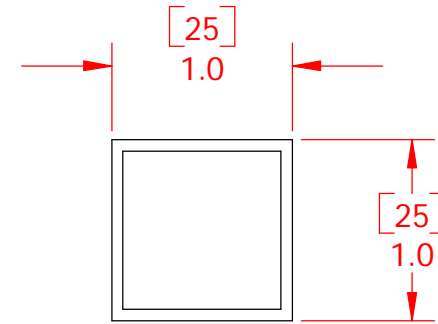
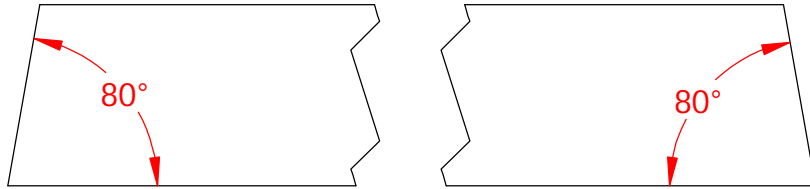
TOP FRONT SIDE RAIL (J1 & J2)

FOR EDUCATIONAL USE ONLY
 THE INFORMATION CONTAINED IN THIS
 DRAWING IS NOT INTENDED FOR USE IN
 THE CONSTRUCTION OR MANUFACTURE
 OF PARTS. THE INFORMATION IS PROVIDED
 WITHOUT WARRANTY FOR EDUCATIONAL
 REFERENCE ONLY.

MATERIAL
**STEEL - RHS
 1"x1", 16swg**

DO NOT SCALE DRAWING

SIZE A	DWG. NO. J	REV.
SCALE:1:1	WEIGHT:	SHEET 1 OF 1



DIMENSIONS ARE IN INCHES
 TOLERANCES:
 FRACTIONAL $\pm 1/32$
 ANGULAR $\pm 1^\circ$
 TWO PLACE DECIMAL $\pm .03$
 THREE PLACE DECIMAL $\pm .010$

BOOK CHASSIS

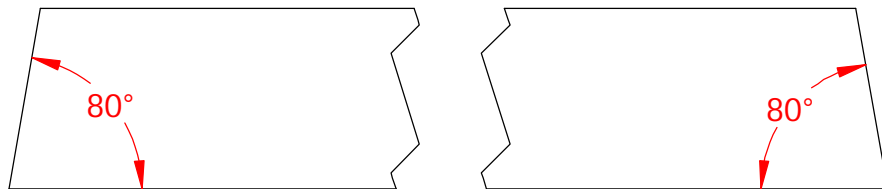
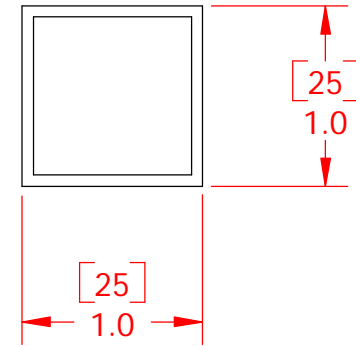
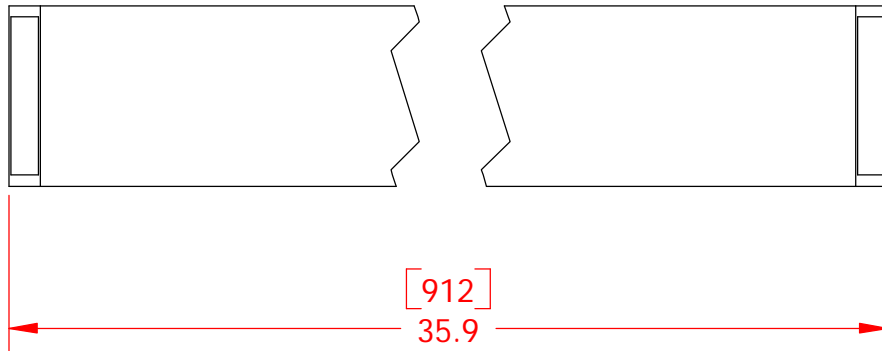
FRONT BULKHEAD TOP CROSS RAIL (Q)

FOR EDUCATIONAL USE ONLY
 THE INFORMATION CONTAINED IN THIS
 DRAWING IS NOT INTENDED FOR USE IN
 THE CONSTRUCTION OR MANUFACTURE
 OF PARTS. THE INFORMATION IS PROVIDED
 WITHOUT WARRANTY FOR EDUCATIONAL
 REFERENCE ONLY.

MATERIAL
**STEEL - RHS
 1"x1", 16swg**

DO NOT SCALE DRAWING

SIZE A	DWG. NO. Q	REV.
SCALE:1:1	WEIGHT:	SHEET 1 OF 1



DIMENSIONS ARE IN INCHES
TOLERANCES:
FRACTIONAL $\pm 1/32$
ANGULAR $\pm 1^\circ$
TWO PLACE DECIMAL $\pm .03$
THREE PLACE DECIMAL $\pm .010$

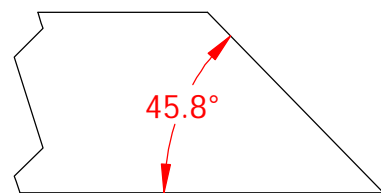
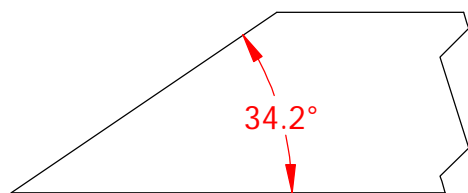
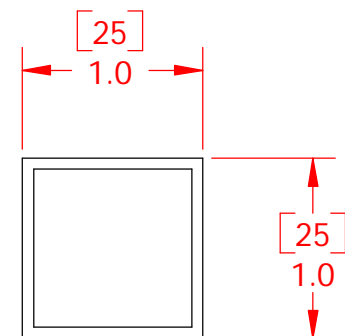
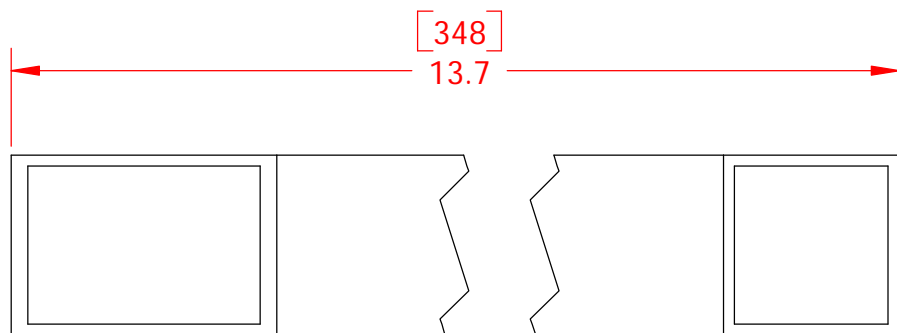
FOR EDUCATIONAL USE ONLY
THE INFORMATION CONTAINED IN THIS DRAWING IS NOT INTENDED FOR USE IN THE CONSTRUCTION OR MANUFACTURE OF PARTS. THE INFORMATION IS PROVIDED WITHOUT WARRANTY FOR EDUCATIONAL REFERENCE ONLY.

MATERIAL
**STEEL - RHS
1"x1", 16swg**
DO NOT SCALE DRAWING

BOOK CHASSIS

**SCUTTLE SUPPORT
CROSS RAIL
(P)**

SIZE A	DWG. NO. P	REV.
SCALE:1:1	WEIGHT:	SHEET 1 OF 1

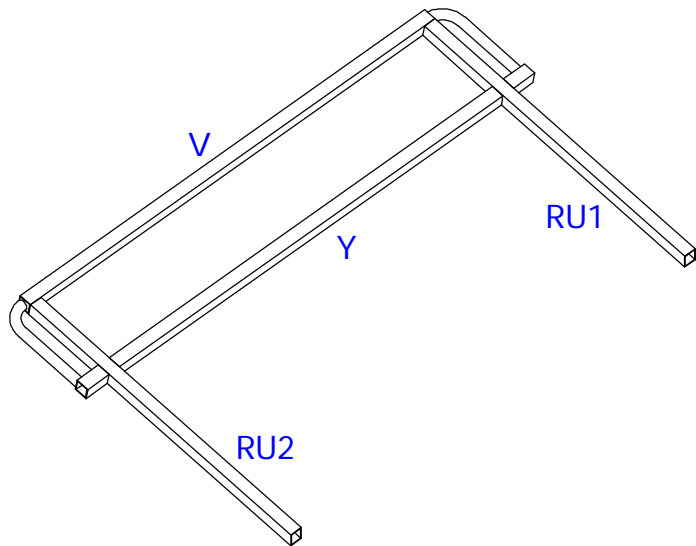
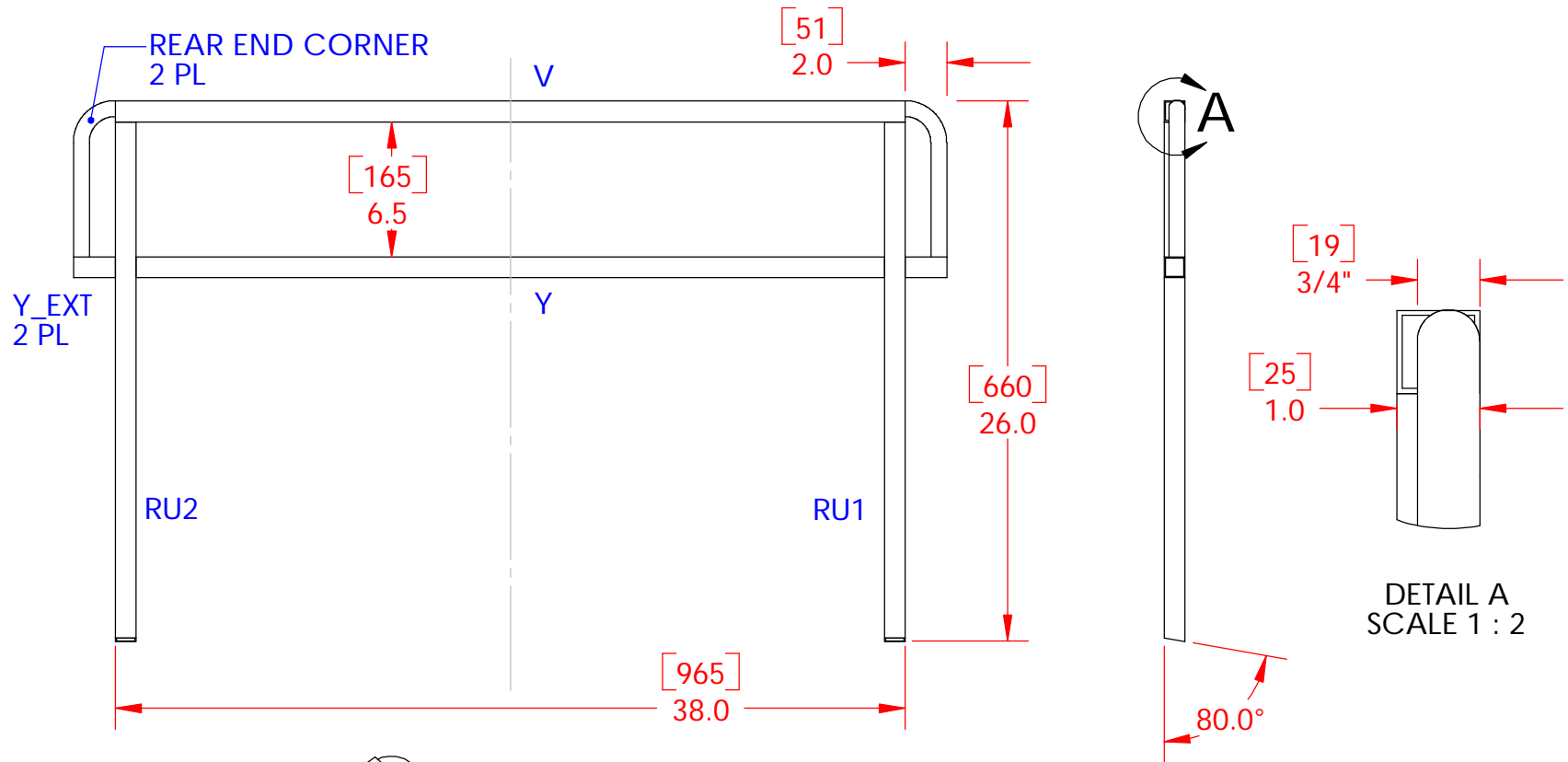


DIMENSIONS ARE IN INCHES
 TOLERANCES:
 FRACTIONAL $\pm 1/32$
 ANGULAR $\pm 1^\circ$
 TWO PLACE DECIMAL $\pm .03$
 THREE PLACE DECIMAL $\pm .010$

FOR EDUCATIONAL USE ONLY
 THE INFORMATION CONTAINED IN THIS DRAWING IS NOT INTENDED FOR USE IN THE CONSTRUCTION OR MANUFACTURE OF PARTS. THE INFORMATION IS PROVIDED WITHOUT WARRANTY FOR EDUCATIONAL REFERENCE ONLY.

MATERIAL
STEEL - RHS
1"x1", 16swg
 DO NOT SCALE DRAWING

BOOK CHASSIS		
FRONT DIAGONAL STRENGTH MEMBER (S & T)		
SIZE A	DWG. NO. S_T	REV.
SCALE:1:1	WEIGHT:	SHEET 1 OF 1



DIMENSIONS ARE IN INCHES
 TOLERANCES:
 FRACTIONAL $\pm 1/32$
 ANGULAR $\pm 1^\circ$
 TWO PLACE DECIMAL $\pm .03$
 THREE PLACE DECIMAL $\pm .010$

MATERIAL STEEL - RHS
 1"x1" - 16swg,
 $\varnothing 3/4"$ TUBE

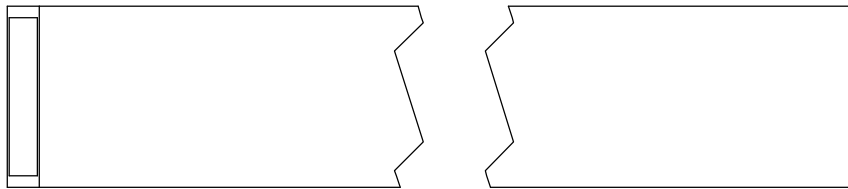
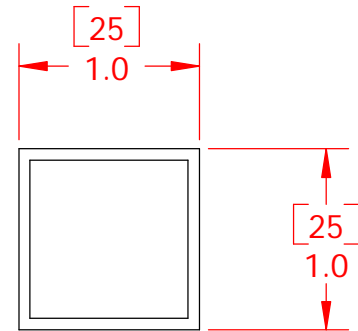
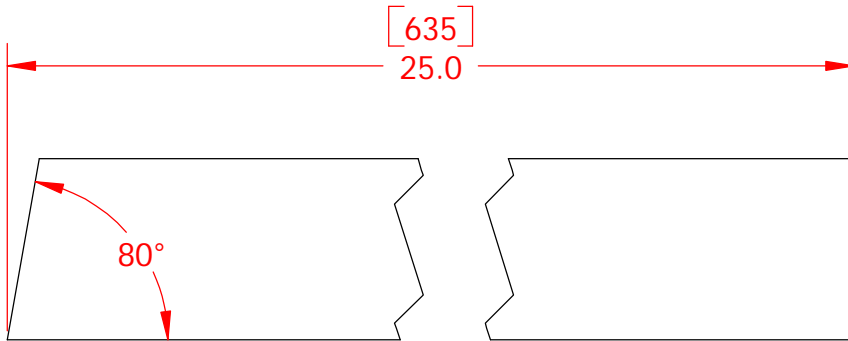
DO NOT SCALE DRAWING

FOR EDUCATIONAL USE ONLY
 THE INFORMATION CONTAINED IN THIS DRAWING IS NOT INTENDED FOR USE IN THE CONSTRUCTION OR MANUFACTURE OF PARTS. THE INFORMATION IS PROVIDED WITHOUT WARRANTY FOR EDUCATIONAL REFERENCE ONLY.

BOOK CHASSIS

REAR END BOTTOM ASSEMBLY

SIZE A	DWG. NO. bookFrame	REV.
SCALE:1:1	WEIGHT:	SHEET 1 OF 1



DIMENSIONS ARE IN INCHES
 TOLERANCES:
 FRACTIONAL $\pm 1/32$
 ANGULAR $\pm 1^\circ$
 TWO PLACE DECIMAL $\pm .03$
 THREE PLACE DECIMAL $\pm .010$

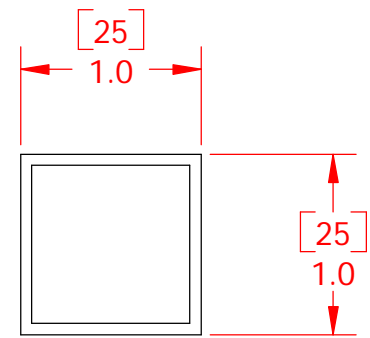
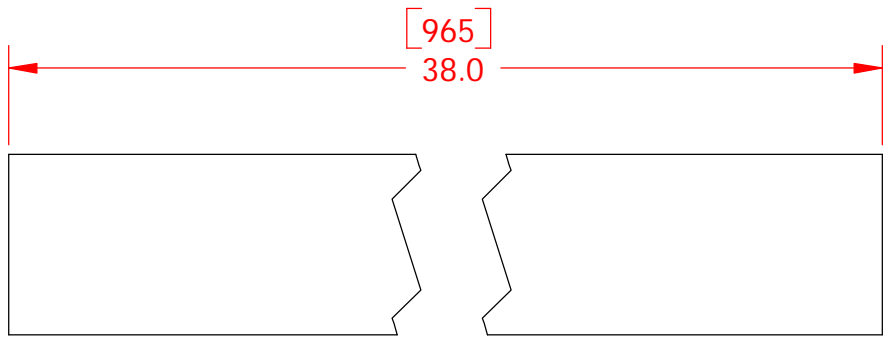
FOR EDUCATIONAL USE ONLY
 THE INFORMATION CONTAINED IN THIS
 DRAWING IS NOT INTENDED FOR USE IN
 THE CONSTRUCTION OR MANUFACTURE
 OF PARTS. THE INFORMATION IS PROVIDED
 WITHOUT WARRANTY FOR EDUCATIONAL
 REFERENCE ONLY.

MATERIAL
STEEL - RHS
1"x1", 16swg
 DO NOT SCALE DRAWING

BOOK CHASSIS

REAR END BOTTOM SIDE RAIL (RU1 & RU2)

SIZE A	DWG. NO. RU	REV.
SCALE:1:1	WEIGHT:	SHEET 1 OF 1



FOR EDUCATIONAL USE ONLY
 THE INFORMATION CONTAINED IN THIS DRAWING IS NOT INTENDED FOR USE IN THE CONSTRUCTION OR MANUFACTURE OF PARTS. THE INFORMATION IS PROVIDED WITHOUT WARRANTY FOR EDUCATIONAL REFERENCE ONLY.

DIMENSIONS ARE IN INCHES
 TOLERANCES:
 FRACTIONAL $\pm 1/32$
 ANGULAR $\pm 1^\circ$
 TWO PLACE DECIMAL $\pm .03$
 THREE PLACE DECIMAL $\pm .010$

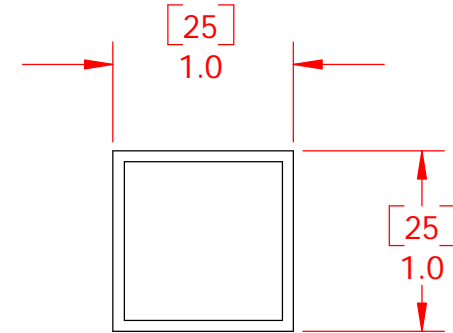
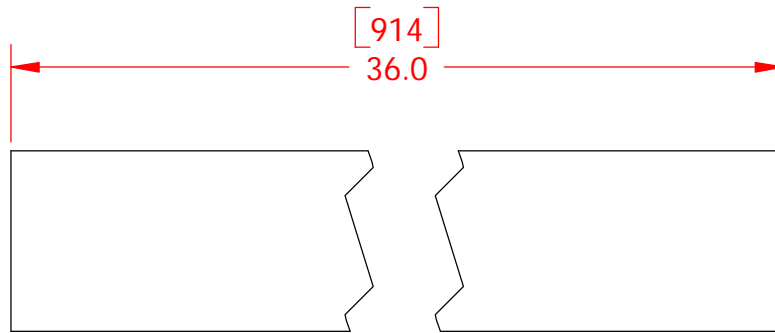
MATERIAL
STEEL - RHS
1"x1", 16swg

DO NOT SCALE DRAWING

BOOK CHASSIS

REAR END BOTTOM
OUTER CROSS RAIL
(V)

SIZE A	DWG. NO. V	REV.
SCALE:1:1	WEIGHT:	SHEET 1 OF 1

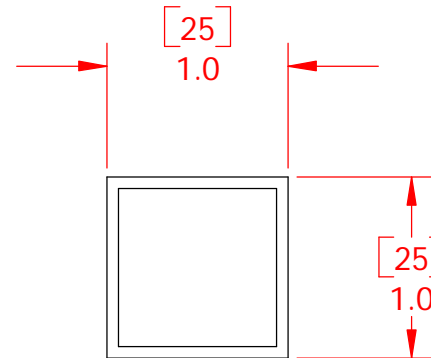
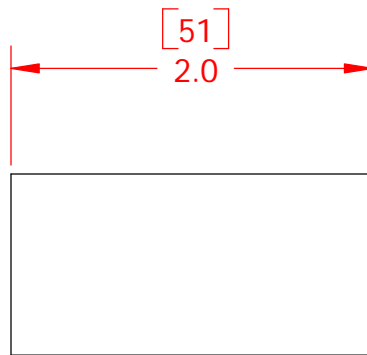


DIMENSIONS ARE IN INCHES
 TOLERANCES:
 FRACTIONAL $\pm 1/32$
 ANGULAR $\pm 1^\circ$
 TWO PLACE DECIMAL $\pm .03$
 THREE PLACE DECIMAL $\pm .010$

FOR EDUCATIONAL USE ONLY
 THE INFORMATION CONTAINED IN THIS DRAWING IS NOT INTENDED FOR USE IN THE CONSTRUCTION OR MANUFACTURE OF PARTS. THE INFORMATION IS PROVIDED WITHOUT WARRANTY FOR EDUCATIONAL REFERENCE ONLY.

MATERIAL
STEEL - RHS
1"x1", 16swg
 DO NOT SCALE DRAWING

BOOK CHASSIS		
REAR END BOTTOM INNER CROSS RAIL (Y)		
SIZE A	DWG. NO. Y	REV.
SCALE:1:1	WEIGHT:	SHEET 1 OF 1

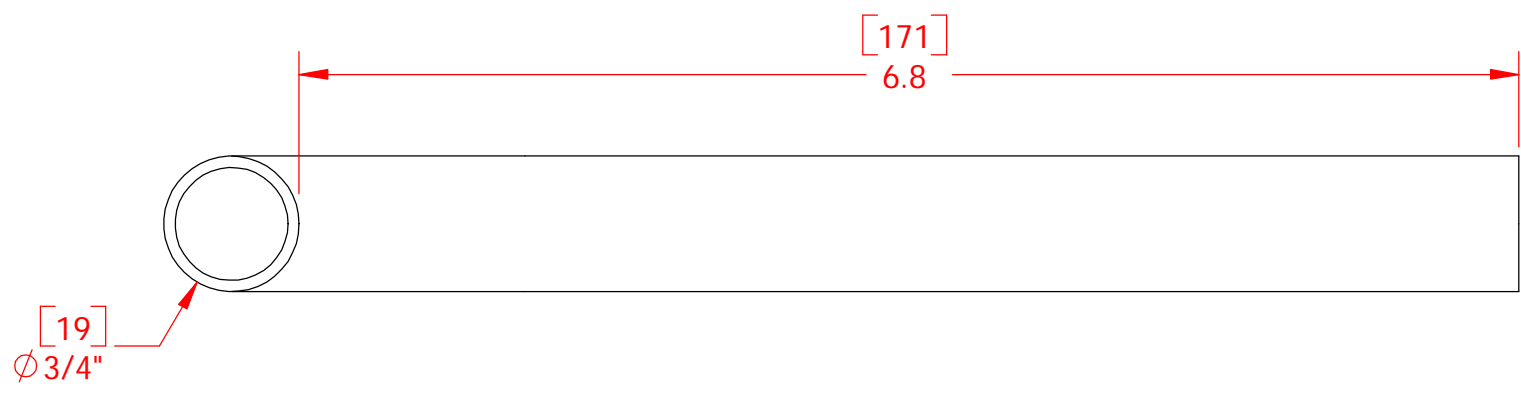
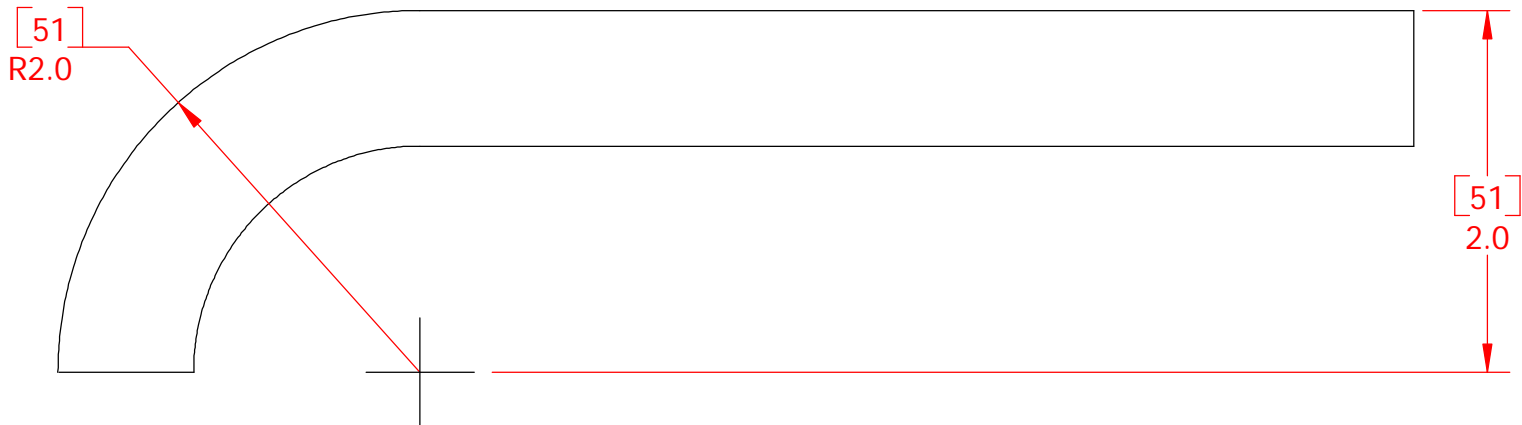


DIMENSIONS ARE IN INCHES
 TOLERANCES:
 FRACTIONAL $\pm 1/32$
 ANGULAR $\pm 1^\circ$
 TWO PLACE DECIMAL $\pm .03$
 THREE PLACE DECIMAL $\pm .010$

FOR EDUCATIONAL USE ONLY
 THE INFORMATION CONTAINED IN THIS DRAWING IS NOT INTENDED FOR USE IN THE CONSTRUCTION OR MANUFACTURE OF PARTS. THE INFORMATION IS PROVIDED WITHOUT WARRANTY FOR EDUCATIONAL REFERENCE ONLY.

MATERIAL
STEEL - RHS
1"x1", 16swg
 DO NOT SCALE DRAWING

BOOK CHASSIS		
REAR END BOTTOM INNER CROSS RAIL EXTENSION (Y_EXT)		
SIZE A	DWG. NO. Y_EXT	REV.
SCALE:1:1	WEIGHT:	SHEET 1 OF 1



DIMENSIONS ARE IN INCHES
 TOLERANCES:
 FRACTIONAL $\pm 1/32$
 ANGULAR $\pm 1^\circ$
 TWO PLACE DECIMAL $\pm .03$
 THREE PLACE DECIMAL $\pm .010$

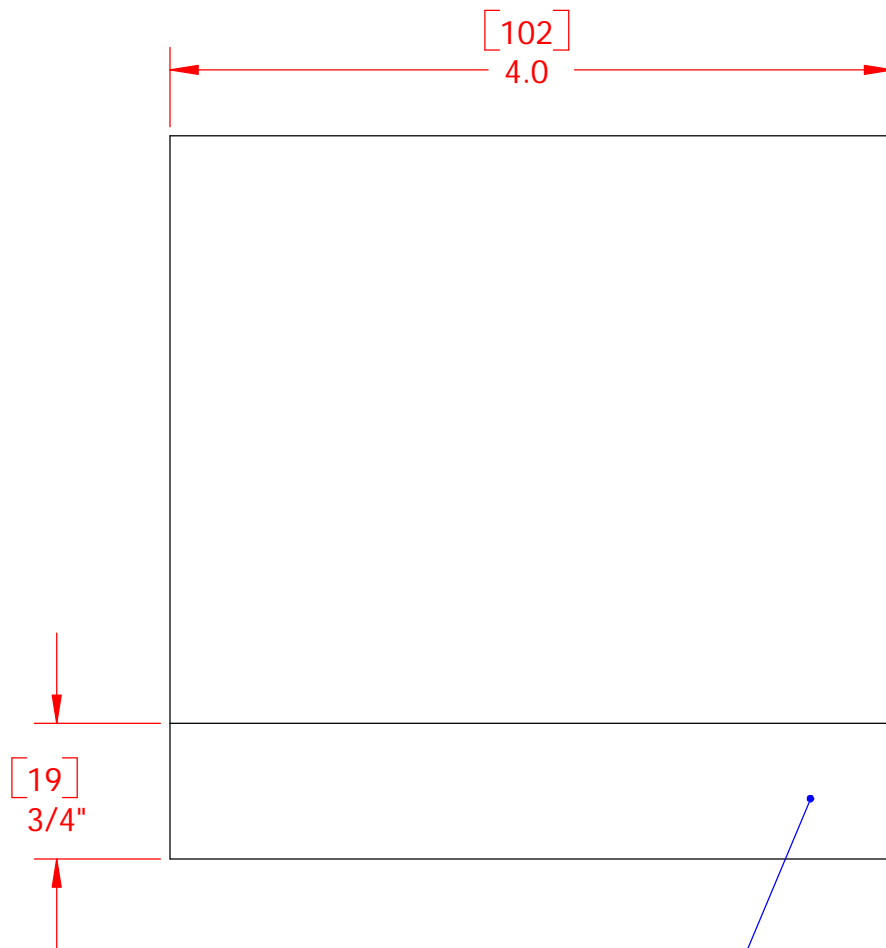
BOOK CHASSIS

REAR END BOTTOM CORNER TUBE

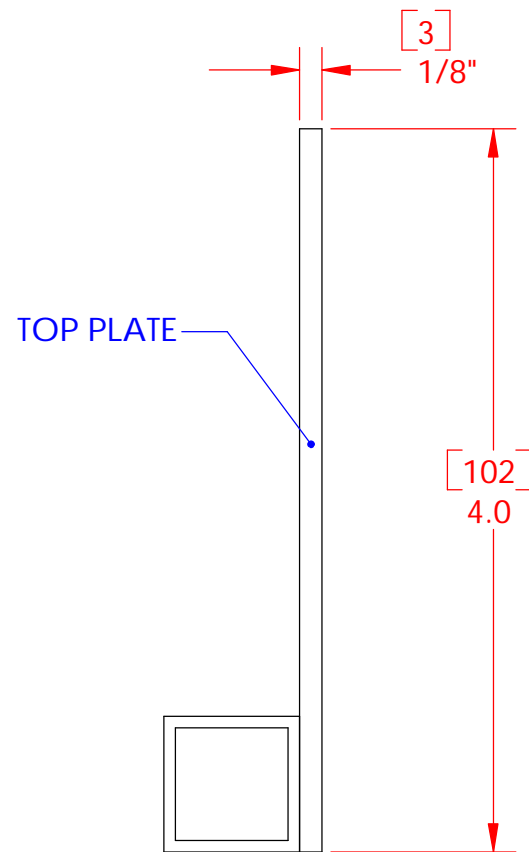
FOR EDUCATIONAL USE ONLY
 THE INFORMATION CONTAINED IN THIS DRAWING IS NOT INTENDED FOR USE IN THE CONSTRUCTION OR MANUFACTURE OF PARTS. THE INFORMATION IS PROVIDED WITHOUT WARRANTY FOR EDUCATIONAL REFERENCE ONLY.

MATERIAL
STEEL - TUBE
 $\phi 3/4"$
 DO NOT SCALE DRAWING

SIZE A	DWG. NO. rearBottomCorner	REV.
SCALE:1:1	WEIGHT:	SHEET 1 OF 1



TOP PLATE MEMBER



TOP PLATE

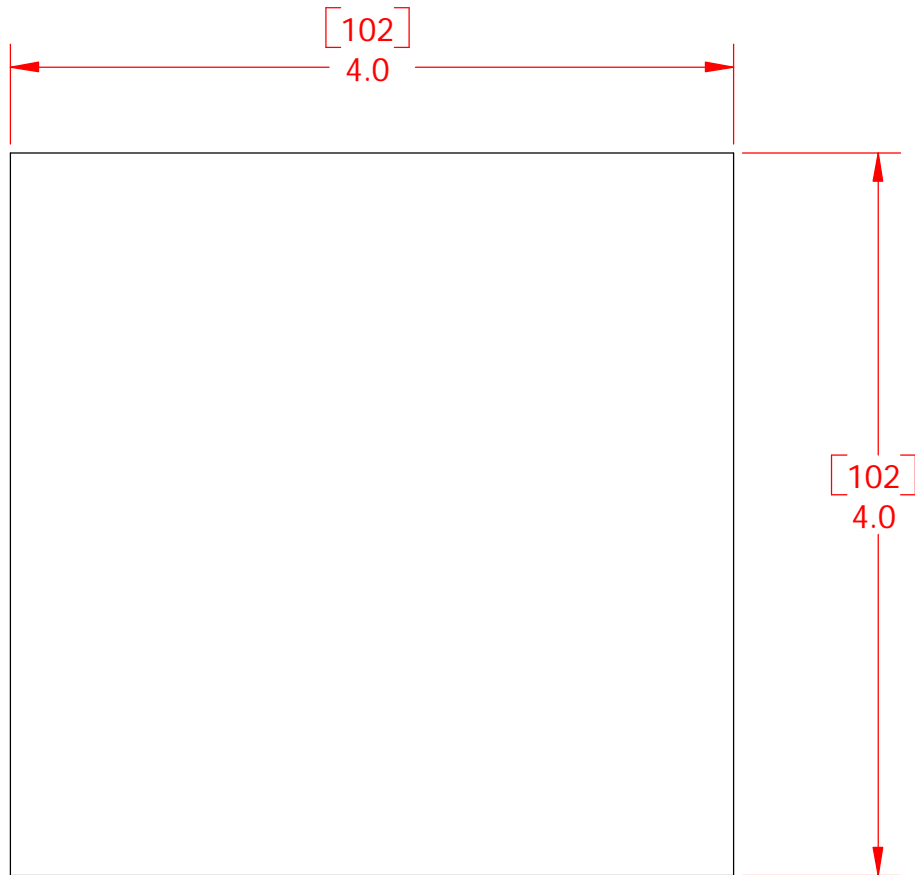
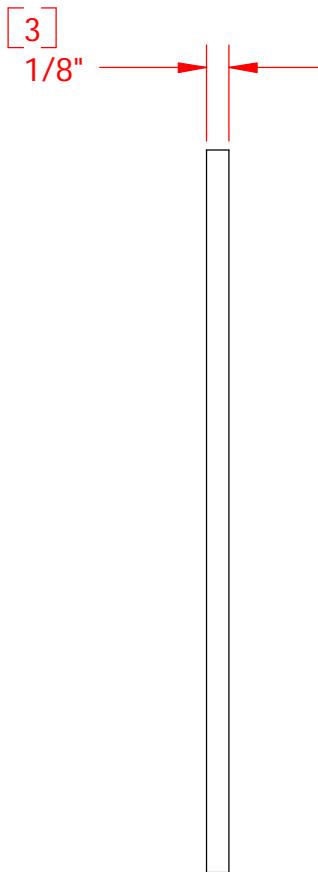
DIMENSIONS ARE IN INCHES
 TOLERANCES:
 FRACTIONAL $\pm 1/32$
 ANGULAR $\pm 1^\circ$
 TWO PLACE DECIMAL $\pm .03$
 THREE PLACE DECIMAL $\pm .010$

FOR EDUCATIONAL USE ONLY
 THE INFORMATION CONTAINED IN THIS DRAWING IS NOT INTENDED FOR USE IN THE CONSTRUCTION OR MANUFACTURE OF PARTS. THE INFORMATION IS PROVIDED WITHOUT WARRANTY FOR EDUCATIONAL REFERENCE ONLY.

MATERIAL
 DO NOT SCALE DRAWING

BOOK CHASSIS
REAR BULKHEAD
TOP PLATE ASSEMBLY

SIZE A	DWG. NO. rearPlateAssembly	REV.
SCALE:1:1	WEIGHT:	SHEET 1 OF 1



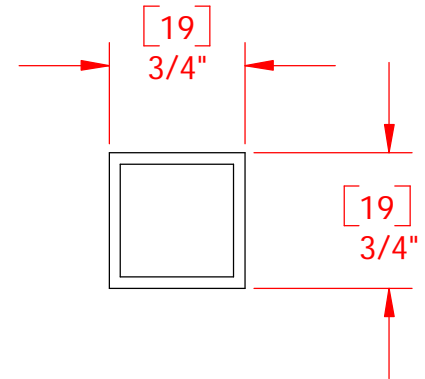
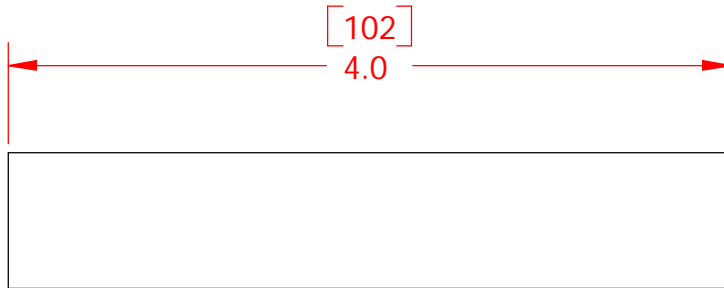
DIMENSIONS ARE IN INCHES
 TOLERANCES:
 FRACTIONAL $\pm 1/32$
 ANGULAR $\pm 1^\circ$
 TWO PLACE DECIMAL $\pm .03$
 THREE PLACE DECIMAL $\pm .010$

FOR EDUCATIONAL USE ONLY
 THE INFORMATION CONTAINED IN THIS DRAWING IS NOT INTENDED FOR USE IN THE CONSTRUCTION OR MANUFACTURE OF PARTS. THE INFORMATION IS PROVIDED WITHOUT WARRANTY FOR EDUCATIONAL REFERENCE ONLY.

MATERIAL
STEEL - PLATE
1/8" THICK
 DO NOT SCALE DRAWING

BOOK CHASSIS
REAR BULKHEAD
TOP PLATE

SIZE A	DWG. NO. rearPlate	REV.
SCALE:1:1	WEIGHT:	SHEET 1 OF 1



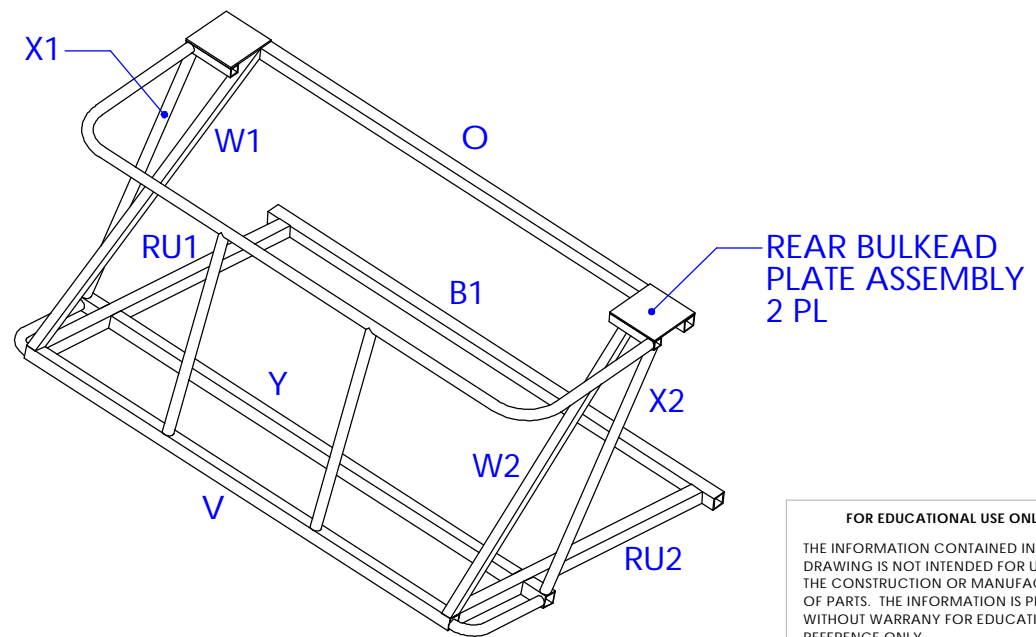
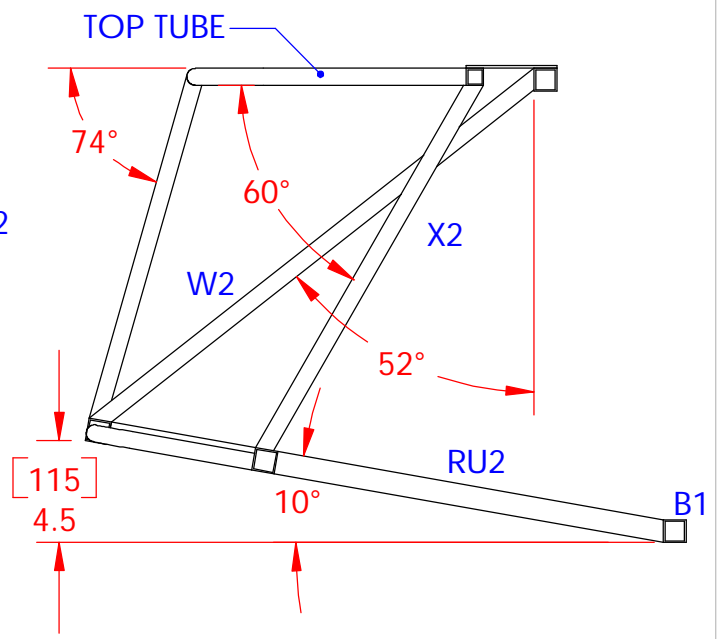
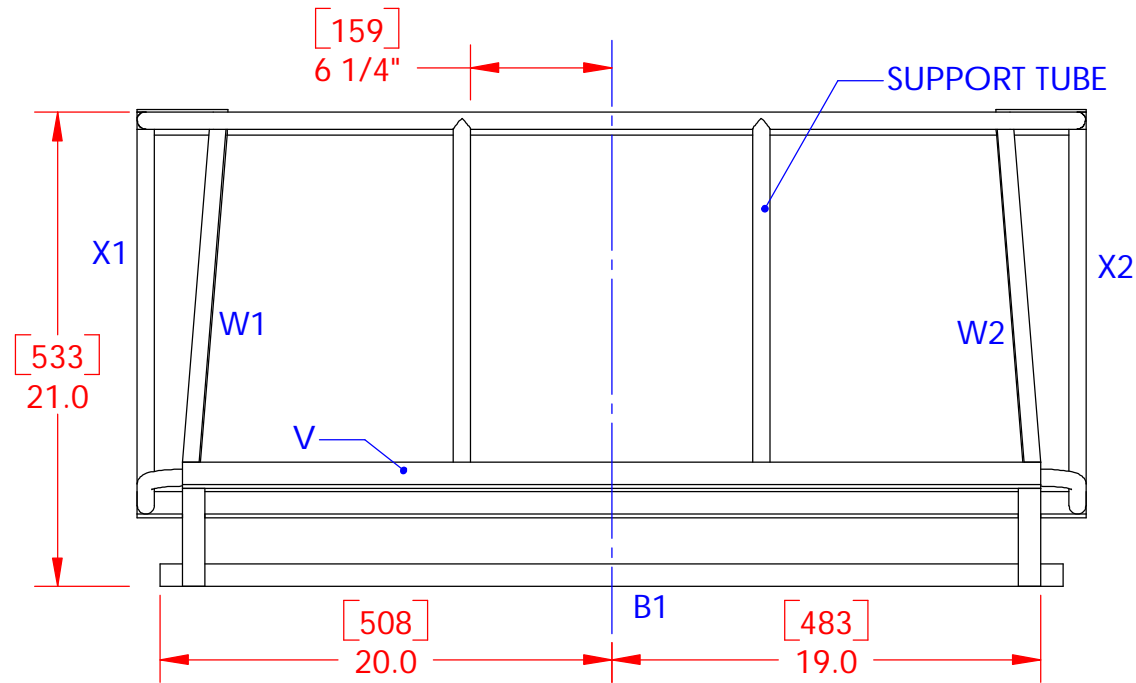
FOR EDUCATIONAL USE ONLY
 THE INFORMATION CONTAINED IN THIS DRAWING IS NOT INTENDED FOR USE IN THE CONSTRUCTION OR MANUFACTURE OF PARTS. THE INFORMATION IS PROVIDED WITHOUT WARRANTY FOR EDUCATIONAL REFERENCE ONLY.

DIMENSIONS ARE IN INCHES
 TOLERANCES:
 FRACTIONAL ± 1/32
 ANGULAR ± 1°
 TWO PLACE DECIMAL ± .03
 THREE PLACE DECIMAL ± .010

MATERIAL
STEEL - RHS
3/4" x 3/4", 16swg

DO NOT SCALE DRAWING

BOOK CHASSIS			
REAR BULKHEAD TOP PLATE MEMBER			
SIZE A	DWG. NO. rearPlateMember	REV.	
SCALE:1:1	WEIGHT:	SHEET 1 OF 1	



NOTE: ALL ASSEMBLED PARTS FORWARD OF "B1" AND "O" HIDDEN FOR CLARITY.

DIMENSIONS ARE IN INCHES
 TOLERANCES:
 FRACTIONAL ± 1/32
 ANGULAR ± 1°
 TWO PLACE DECIMAL ± .03
 THREE PLACE DECIMAL ± .010

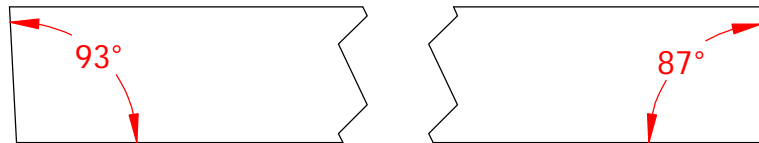
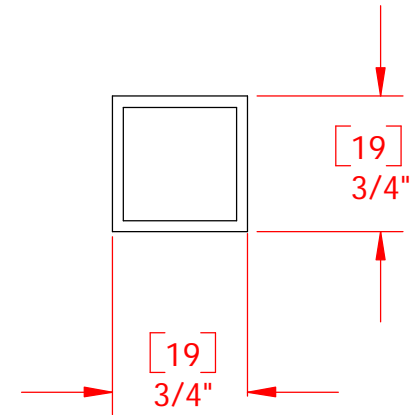
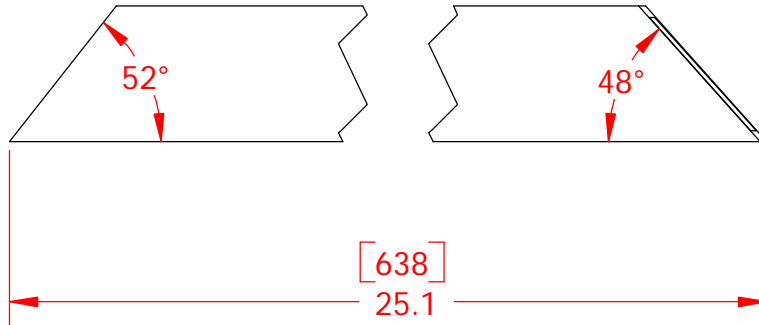
BOOK CHASSIS

REAR END LAYOUT

MATERIAL
 DO NOT SCALE DRAWING

SIZE A	DWG. NO. bookFrame	REV.
SCALE:1:8	WEIGHT:	SHEET 1 OF 1

FOR EDUCATIONAL USE ONLY
 THE INFORMATION CONTAINED IN THIS DRAWING IS NOT INTENDED FOR USE IN THE CONSTRUCTION OR MANUFACTURE OF PARTS. THE INFORMATION IS PROVIDED WITHOUT WARRANTY FOR EDUCATIONAL REFERENCE ONLY.



DIMENSIONS ARE IN INCHES
TOLERANCES:
FRACTIONAL $\pm 1/32$
ANGULAR $\pm 1^\circ$
TWO PLACE DECIMAL $\pm .03$
THREE PLACE DECIMAL $\pm .010$

BOOK CHASSIS

REAR END LEFT SIDE DIAGONAL SUPPORT MEMBER (W1)

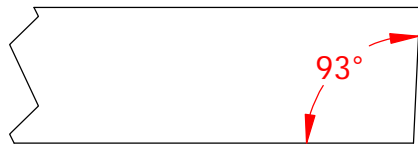
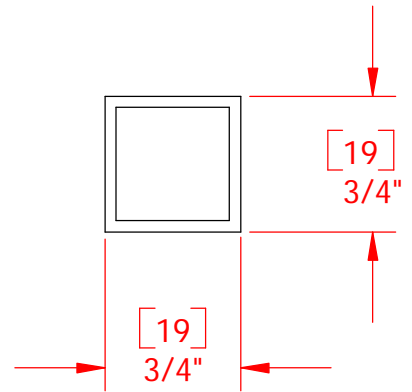
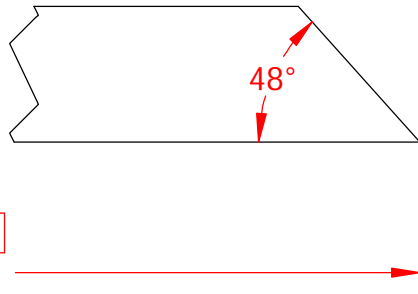
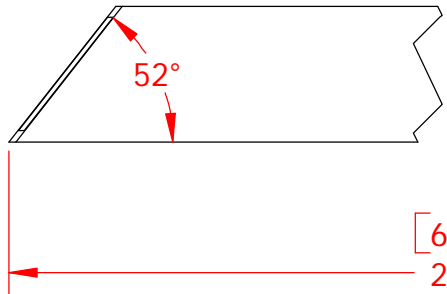
FOR EDUCATIONAL USE ONLY

THE INFORMATION CONTAINED IN THIS DRAWING IS NOT INTENDED FOR USE IN THE CONSTRUCTION OR MANUFACTURE OF PARTS. THE INFORMATION IS PROVIDED WITHOUT WARRANTY FOR EDUCATIONAL REFERENCE ONLY.

MATERIAL
STEEL - RHS
3/4" X 3/4", 16swg

DO NOT SCALE DRAWING

SIZE A	DWG. NO. W1	REV.
SCALE:1:1	WEIGHT:	SHEET 1 OF 1

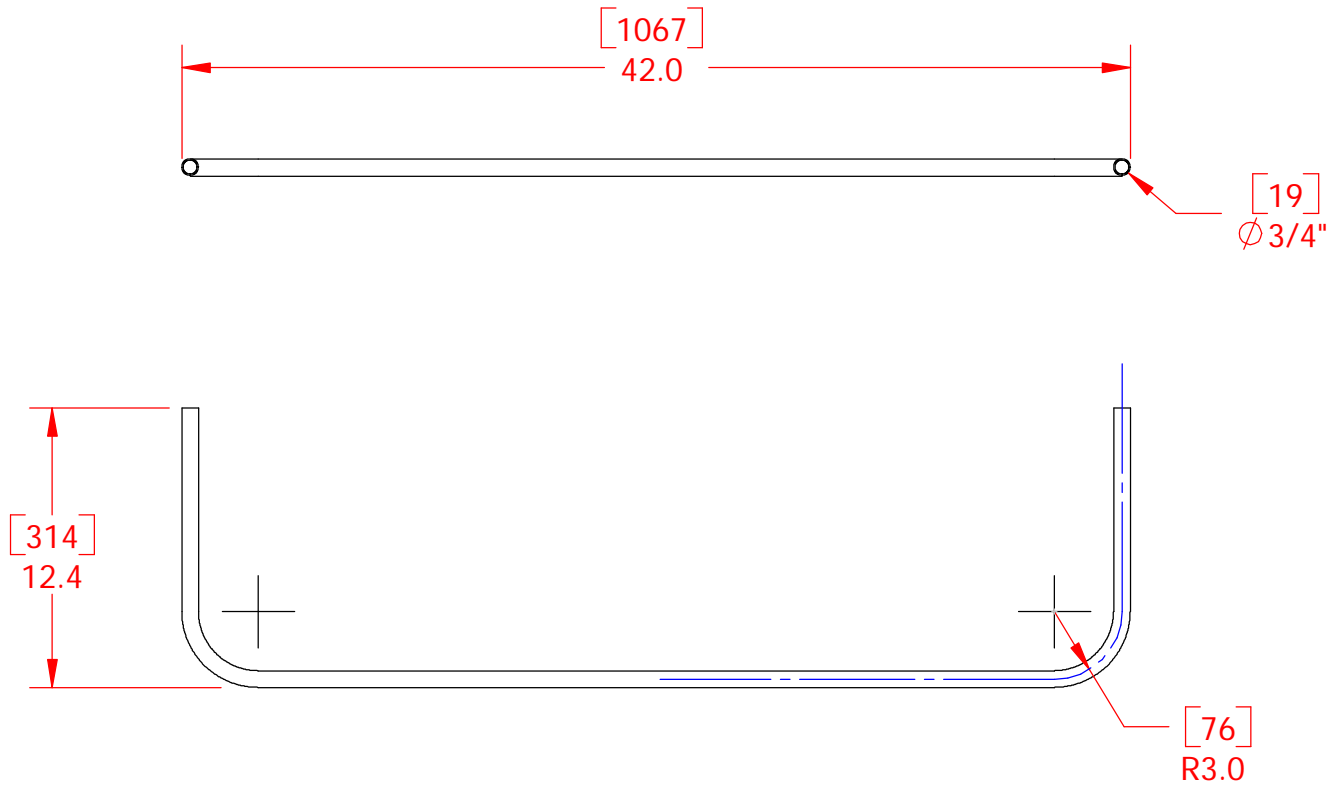


DIMENSIONS ARE IN INCHES
 TOLERANCES:
 FRACTIONAL $\pm 1/32$
 ANGULAR $\pm 1^\circ$
 TWO PLACE DECIMAL $\pm .03$
 THREE PLACE DECIMAL $\pm .010$

FOR EDUCATIONAL USE ONLY
 THE INFORMATION CONTAINED IN THIS DRAWING IS NOT INTENDED FOR USE IN THE CONSTRUCTION OR MANUFACTURE OF PARTS. THE INFORMATION IS PROVIDED WITHOUT WARRANTY FOR EDUCATIONAL REFERENCE ONLY.

MATERIAL
STEEL - RHS
3/4" X 3/4", 16swg
 DO NOT SCALE DRAWING

BOOK CHASSIS		
REAR END RIGHT SIDE DIAGONAL SUPPORT MEMBER (W2)		
SIZE A	DWG. NO. W2	REV.
SCALE:1:1	WEIGHT:	SHEET 1 OF 1



FOR EDUCATIONAL USE ONLY

THE INFORMATION CONTAINED IN THIS DRAWING IS NOT INTENDED FOR USE IN THE CONSTRUCTION OR MANUFACTURE OF PARTS. THE INFORMATION IS PROVIDED WITHOUT WARRANTY FOR EDUCATIONAL REFERENCE ONLY.

DIMENSIONS ARE IN INCHES
 TOLERANCES:
 FRACTIONAL $\pm 1/32$
 ANGULAR $\pm 1^\circ$
 TWO PLACE DECIMAL $\pm .03$
 THREE PLACE DECIMAL $\pm .010$

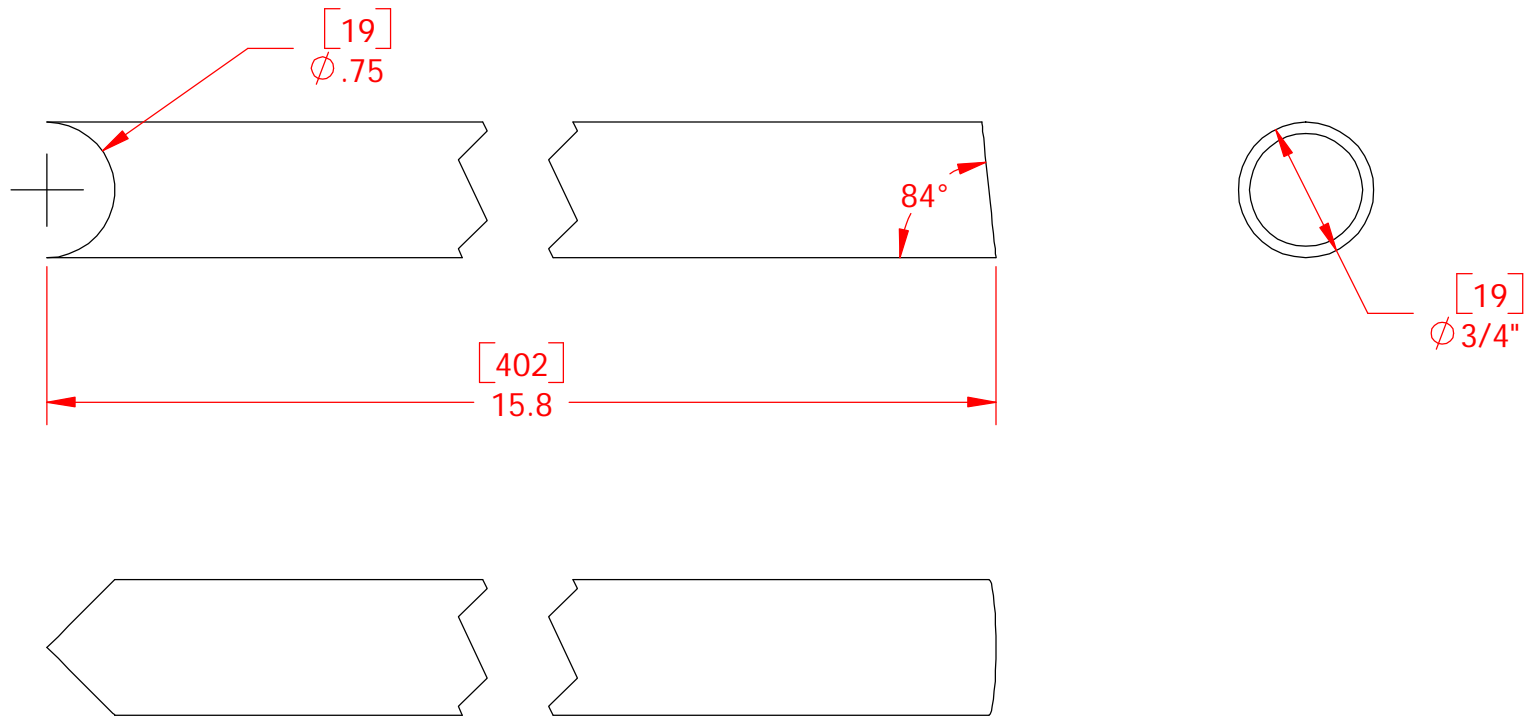
MATERIAL
STEEL - TUBE
 $\Phi 3/4"$

DO NOT SCALE DRAWING

BOOK CHASSIS

**REAR END
 TOP TUBE**

SIZE A	DWG. NO. rearTopTube	REV.
SCALE:1:8	WEIGHT:	SHEET 1 OF 1



DIMENSIONS ARE IN INCHES
 TOLERANCES:
 FRACTIONAL $\pm 1/32$
 ANGULAR $\pm 1^\circ$
 TWO PLACE DECIMAL $\pm .03$
 THREE PLACE DECIMAL $\pm .010$

BOOK CHASSIS

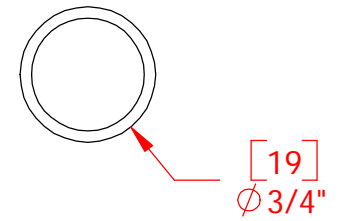
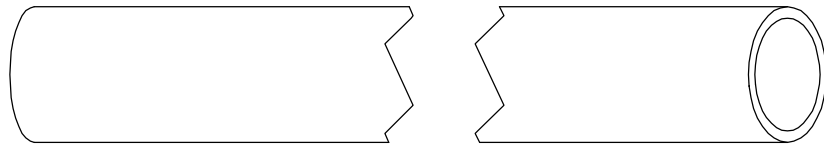
REAR END UPRIGHT SUPPORT TUBE (X3 & X4)

FOR EDUCATIONAL USE ONLY

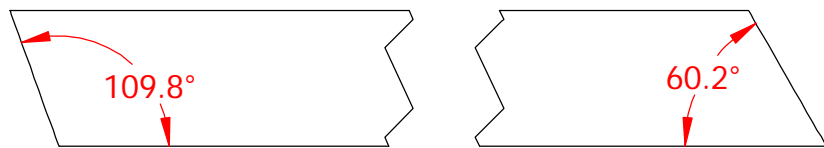
THE INFORMATION CONTAINED IN THIS DRAWING IS NOT INTENDED FOR USE IN THE CONSTRUCTION OR MANUFACTURE OF PARTS. THE INFORMATION IS PROVIDED WITHOUT WARRANTY FOR EDUCATIONAL REFERENCE ONLY.

MATERIAL
STEEL - TUBE
 $\phi 3/4"$
 DO NOT SCALE DRAWING

SIZE A	DWG. NO. X3_4	REV.
SCALE:1:1	WEIGHT:	SHEET 1 OF 1



NOTE: OVERALL LENGTH = 18.9 [480]



DIMENSIONS ARE IN INCHES
 TOLERANCES:
 FRACTIONAL ± 1/32
 ANGULAR ± 1°
 TWO PLACE DECIMAL ± .03
 THREE PLACE DECIMAL ± .010

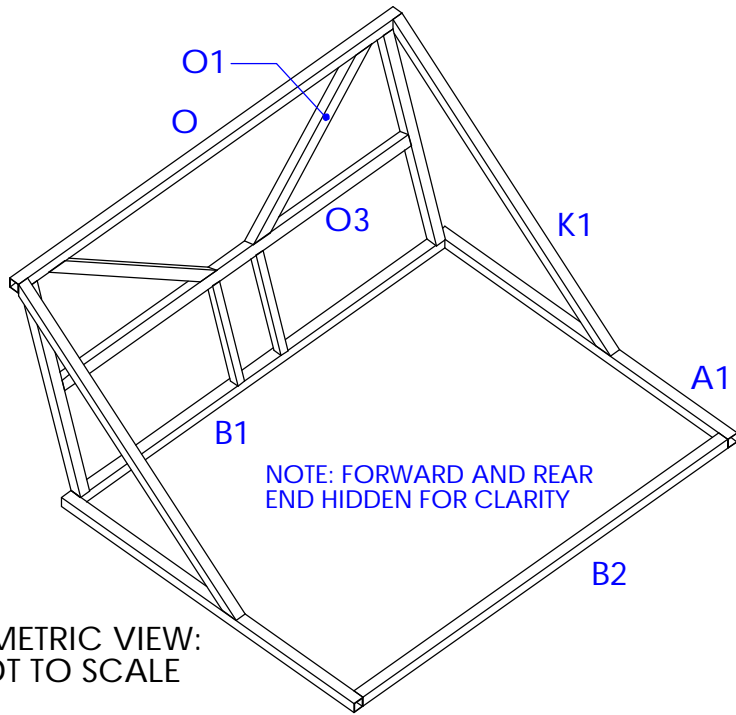
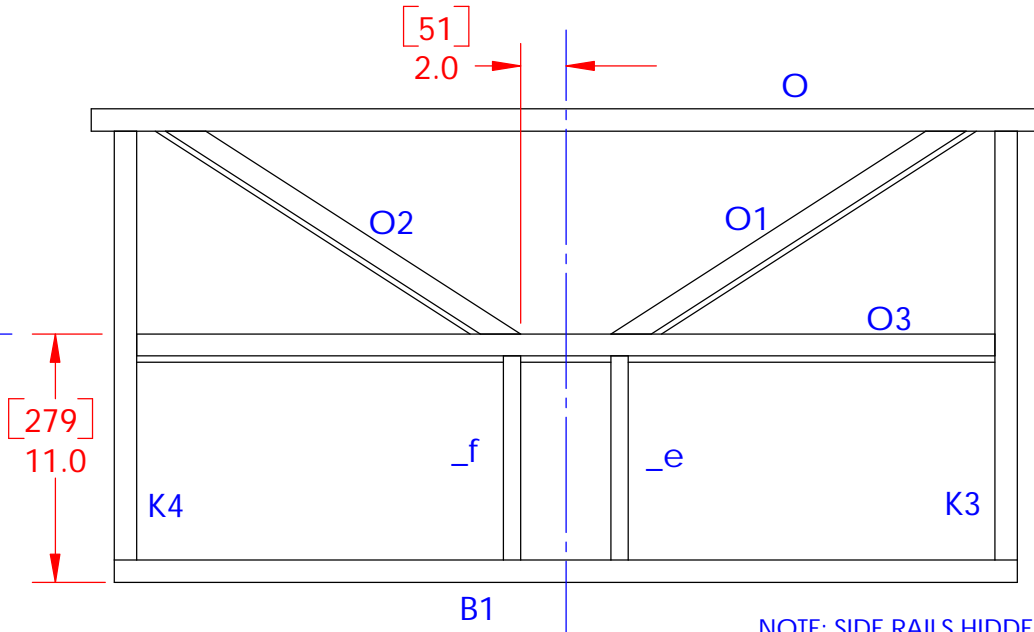
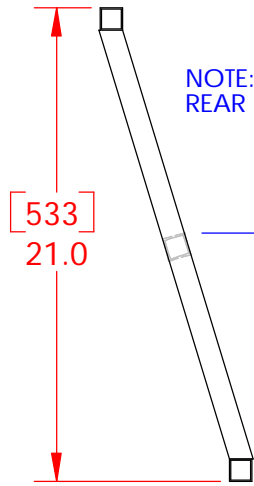
BOOK CHASSIS

**REAR END DIAGONAL
 BODY PANEL SUPPORT
 (X1 & X2)**

FOR EDUCATIONAL USE ONLY
 THE INFORMATION CONTAINED IN THIS
 DRAWING IS NOT INTENDED FOR USE IN
 THE CONSTRUCTION OR MANUFACTURE
 OF PARTS. THE INFORMATION IS PROVIDED
 WITHOUT WARRANTY FOR EDUCATIONAL
 REFERENCE ONLY.

MATERIAL
**STEEL - TUBE
 3/4" DIAM.**
 DO NOT SCALE DRAWING

SIZE A	DWG. NO. X1_2	REV.
SCALE:1:1	WEIGHT:	SHEET 1 OF 1

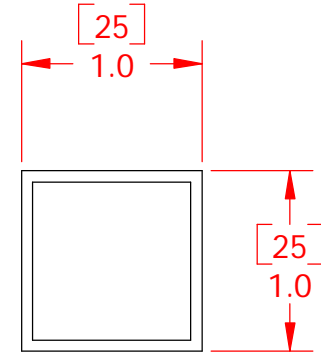
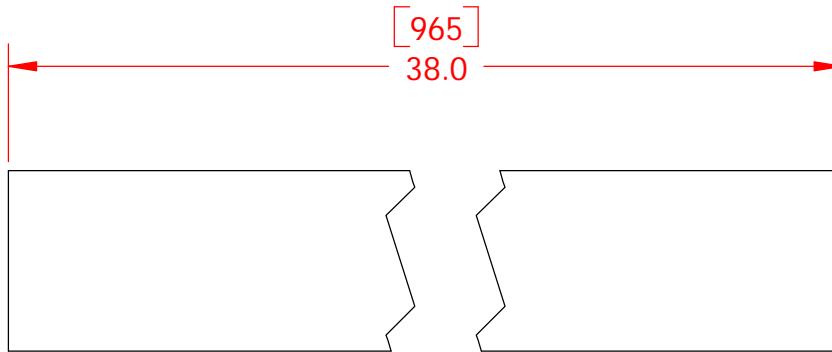


ISOMETRIC VIEW:
NOT TO SCALE

FOR EDUCATIONAL USE ONLY
THE INFORMATION CONTAINED IN THIS DRAWING IS NOT INTENDED FOR USE IN THE CONSTRUCTION OR MANUFACTURE OF PARTS. THE INFORMATION IS PROVIDED WITHOUT WARRANTY FOR EDUCATIONAL REFERENCE ONLY.

DIMENSIONS ARE IN INCHES	
TOLERANCES:	
FRACTIONAL $\pm 1/32$	
ANGULAR $\pm 1^\circ$	
TWO PLACE DECIMAL $\pm .03$	
THREE PLACE DECIMAL $\pm .010$	
MATERIAL	
DO NOT SCALE DRAWING	

BOOK CHASSIS		
REAR BULKHEAD LAYOUT		
SIZE A	DWG. NO. bookFrame	REV.
SCALE:1:1	WEIGHT:	SHEET 1 OF 1



DIMENSIONS ARE IN INCHES
 TOLERANCES:
 FRACTIONAL $\pm 1/32$
 ANGULAR $\pm 1^\circ$
 TWO PLACE DECIMAL $\pm .03$
 THREE PLACE DECIMAL $\pm .010$

BOOK CHASSIS

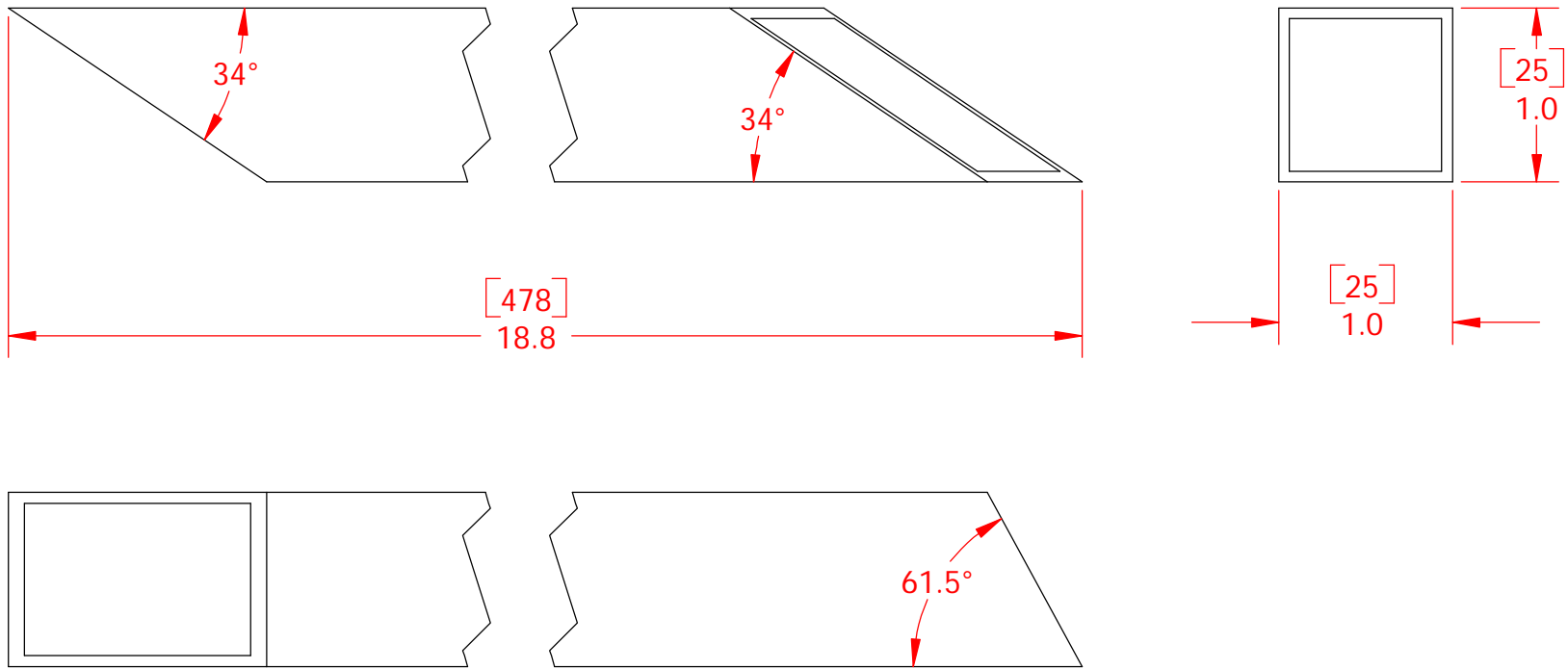
REAR BULKHEAD CENTER CROSS RAIL (O3)

FOR EDUCATIONAL USE ONLY
 THE INFORMATION CONTAINED IN THIS
 DRAWING IS NOT INTENDED FOR USE IN
 THE CONSTRUCTION OR MANUFACTURE
 OF PARTS. THE INFORMATION IS PROVIDED
 WITHOUT WARRANTY FOR EDUCATIONAL
 REFERENCE ONLY.

MATERIAL
**STEEL - RHS
 1"x1", 16swg**

DO NOT SCALE DRAWING

SIZE A	DWG. NO. O3	REV.
SCALE:1:1	WEIGHT:	SHEET 1 OF 1

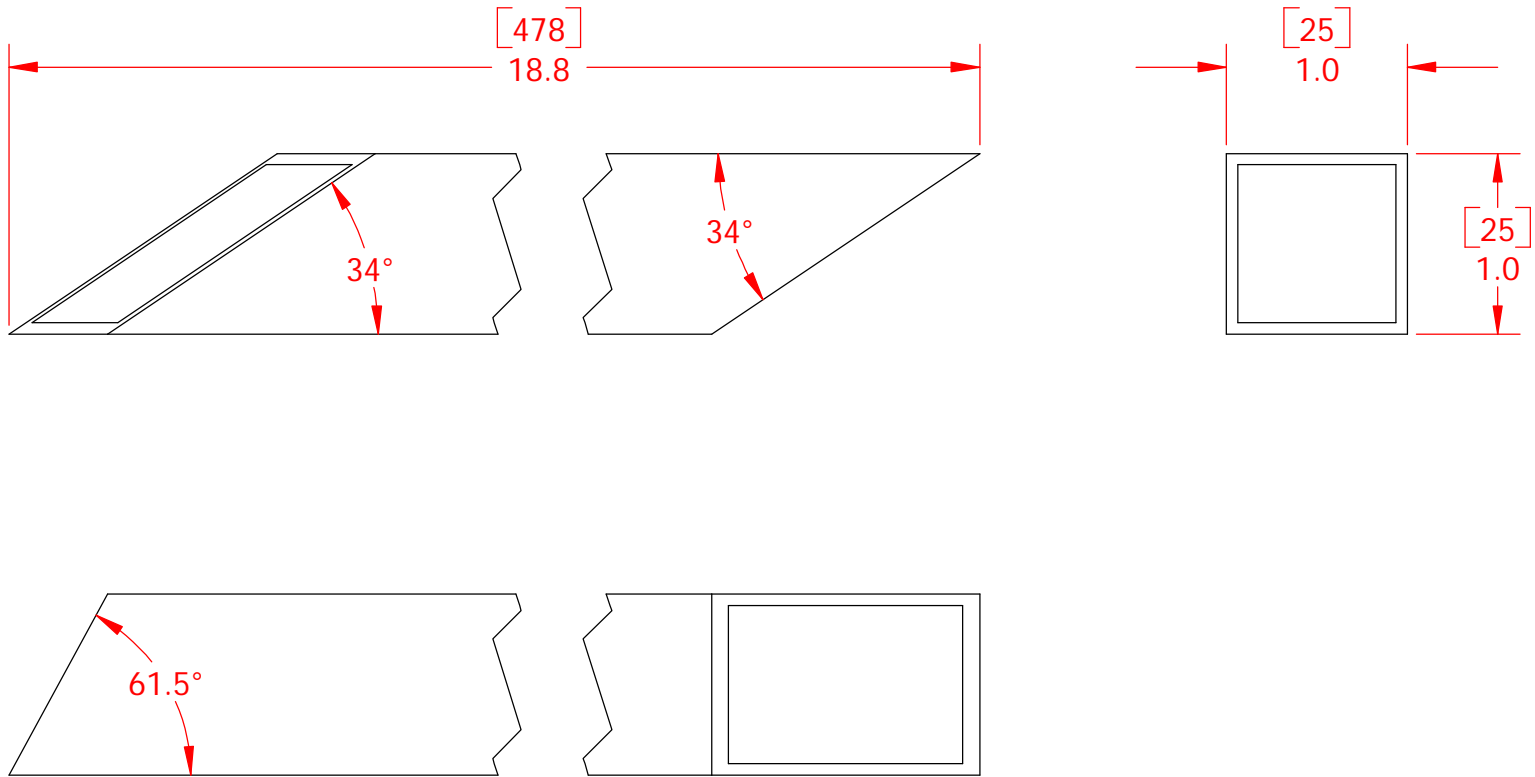


DIMENSIONS ARE IN INCHES
 TOLERANCES:
 FRACTIONAL ± 1/32
 ANGULAR ± 1°
 TWO PLACE DECIMAL ± .03
 THREE PLACE DECIMAL ± .010

BOOK CHASSIS		
REAR BULHEAD LEFT SIDE DIAGONAL SUPPORT MEMBER (O1)		
SIZE A	DWG. NO. O1	REV.
SCALE: 1:1	WEIGHT:	SHEET 1 OF 1

FOR EDUCATIONAL USE ONLY
 THE INFORMATION CONTAINED IN THIS DRAWING IS NOT INTENDED FOR USE IN THE CONSTRUCTION OR MANUFACTURE OF PARTS. THE INFORMATION IS PROVIDED WITHOUT WARRANTY FOR EDUCATIONAL REFERENCE ONLY.

MATERIAL
**STEEL - RHS
 1"X1", 16swg**
 DO NOT SCALE DRAWING



DIMENSIONS ARE IN INCHES
 TOLERANCES:
 FRACTIONAL ± 1/32
 ANGULAR ± 1°
 TWO PLACE DECIMAL ± .03
 THREE PLACE DECIMAL ± .010

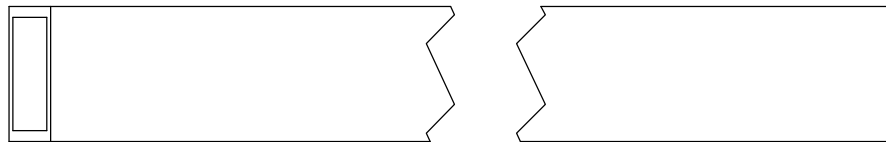
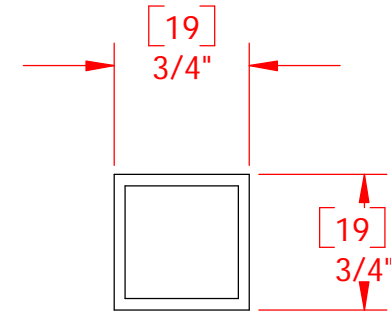
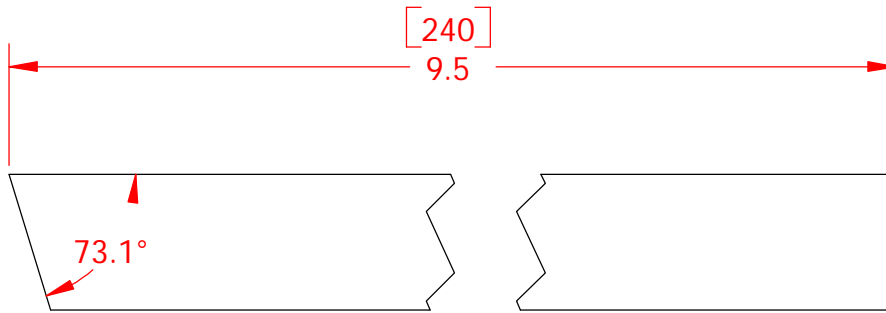
BOOK CHASSIS

REAR BULKHEAD RIGHT SIDE DIAGONAL SUPPORT MEMBER (O2)

FOR EDUCATIONAL USE ONLY
 THE INFORMATION CONTAINED IN THIS
 DRAWING IS NOT INTENDED FOR USE IN
 THE CONSTRUCTION OR MANUFACTURE
 OF PARTS. THE INFORMATION IS PROVIDED
 WITHOUT WARRANTY FOR EDUCATIONAL
 REFERENCE ONLY.

MATERIAL
**STEEL - RHS
 1"X1", 16swg**
 DO NOT SCALE DRAWING

SIZE A	DWG. NO. O2	REV.
SCALE:1:1	WEIGHT:	SHEET 1 OF 1



DIMENSIONS ARE IN INCHES
 TOLERANCES:
 FRACTIONAL $\pm 1/32$
 ANGULAR $\pm 1^\circ$
 TWO PLACE DECIMAL $\pm .03$
 THREE PLACE DECIMAL $\pm .010$

BOOK CHASSIS

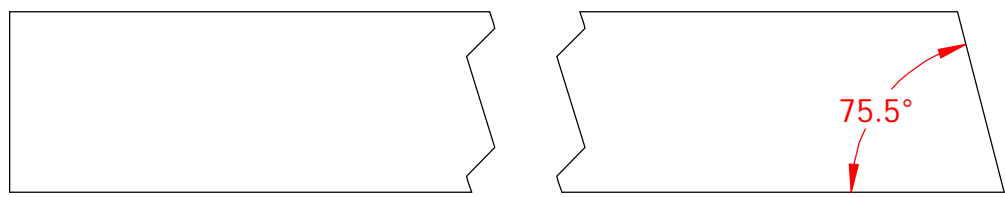
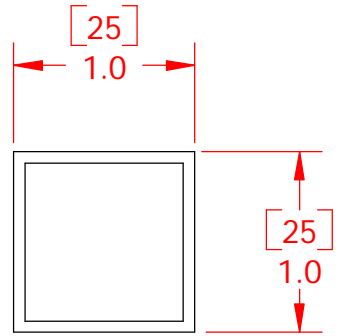
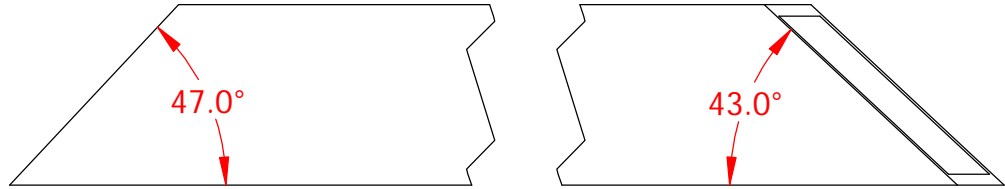
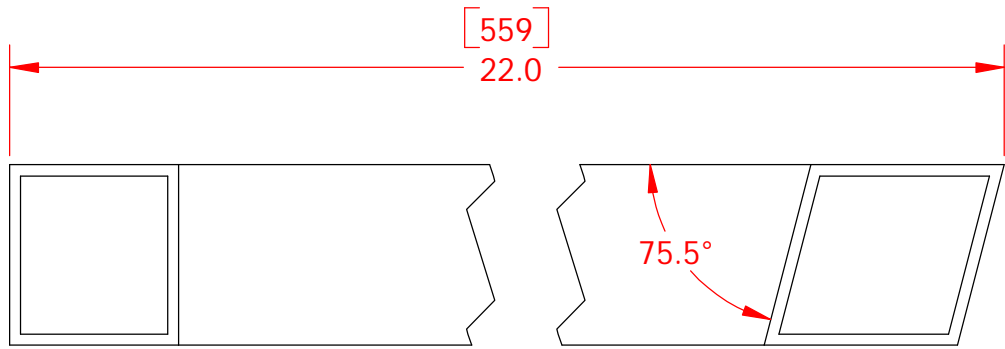
REAR BULKHEAD TRANSMISSION TUNNEL UPRIGHT (e&f)

FOR EDUCATIONAL USE ONLY
 THE INFORMATION CONTAINED IN THIS
 DRAWING IS NOT INTENDED FOR USE IN
 THE CONSTRUCTION OR MANUFACTURE
 OF PARTS. THE INFORMATION IS PROVIDED
 WITHOUT WARRANTY FOR EDUCATIONAL
 REFERENCE ONLY.

MATERIAL
STEEL - RHS
3/4"X3/4", 16swg

DO NOT SCALE DRAWING

SIZE A	DWG. NO. trans_e_f	REV.
SCALE:1:1	WEIGHT:	SHEET 1 OF 1



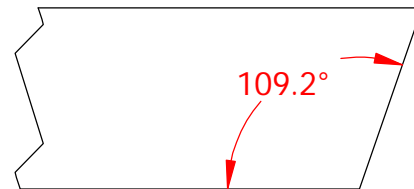
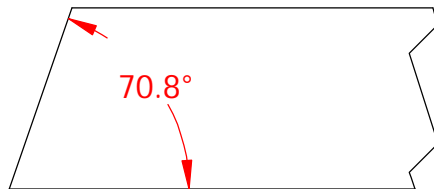
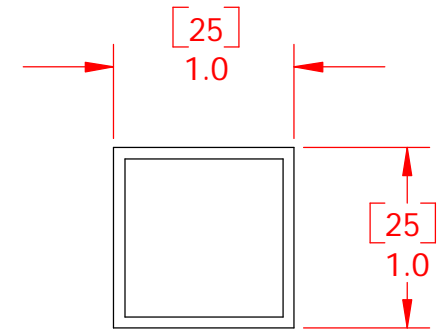
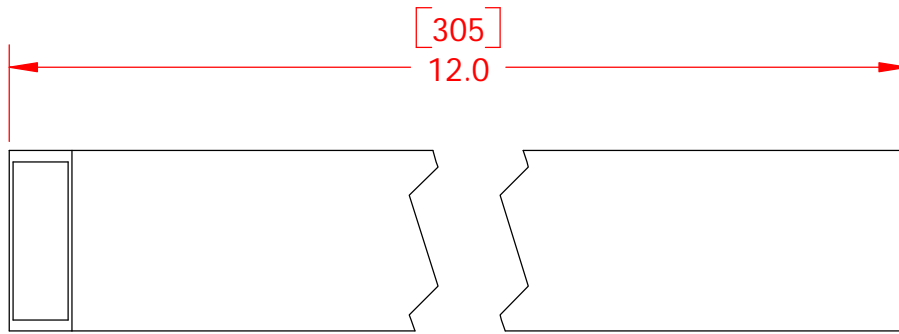
DIMENSIONS ARE IN INCHES
 TOLERANCES:
 FRACTIONAL ± 1/32
 ANGULAR ± 1°
 TWO PLACE DECIMAL ± .03
 THREE PLACE DECIMAL ± .010

BOOK CHASSIS
REAR END DIAGONAL
SUPPORT MEMBER
(Z)

FOR EDUCATIONAL USE ONLY
 THE INFORMATION CONTAINED IN THIS
 DRAWING IS NOT INTENDED FOR USE IN
 THE CONSTRUCTION OR MANUFACTURE
 OF PARTS. THE INFORMATION IS PROVIDED
 WITHOUT WARRANTY FOR EDUCATIONAL
 REFERENCE ONLY.

MATERIAL
STEEL - RHS
1"x1", 16swg
 DO NOT SCALE DRAWING

SIZE A	DWG. NO. Z	REV.
SCALE:1:1	WEIGHT:	SHEET 1 OF 1



DIMENSIONS ARE IN INCHES
 TOLERANCES:
 FRACTIONAL $\pm 1/32$
 ANGULAR $\pm 1^\circ$
 TWO PLACE DECIMAL $\pm .03$
 THREE PLACE DECIMAL $\pm .010$

BOOK CHASSIS

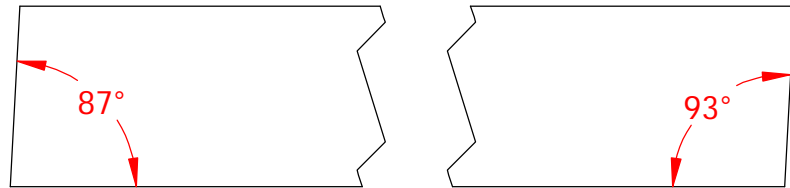
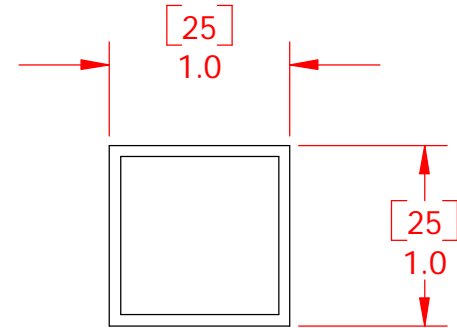
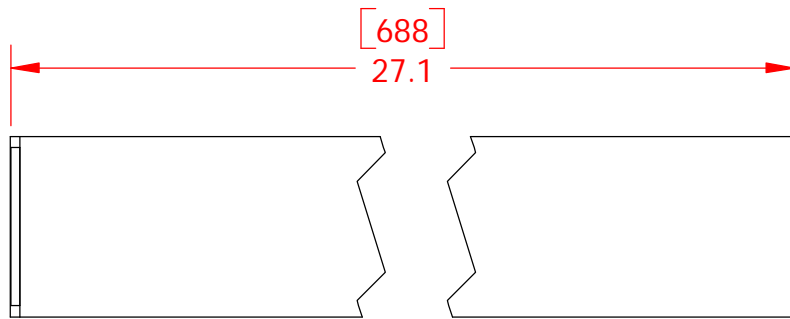
FRONT SUSPENSION SUPPORT MEMBER (FU1&FU2)

FOR EDUCATIONAL USE ONLY
 THE INFORMATION CONTAINED IN THIS
 DRAWING IS NOT INTENDED FOR USE IN
 THE CONSTRUCTION OR MANUFACTURE
 OF PARTS. THE INFORMATION IS PROVIDED
 WITHOUT WARRANTY FOR EDUCATIONAL
 REFERENCE ONLY.

MATERIAL
**STEEL - RHS
 1"X1", 16swg**

DO NOT SCALE DRAWING

SIZE A	DWG. NO. FU	REV.
SCALE:1:1	WEIGHT:	SHEET 1 OF 1



DIMENSIONS ARE IN INCHES
TOLERANCES:
FRACTIONAL ± 1/32
ANGULAR ± 1°
TWO PLACE DECIMAL ± .03
THREE PLACE DECIMAL ± .010

BOOK CHASSIS

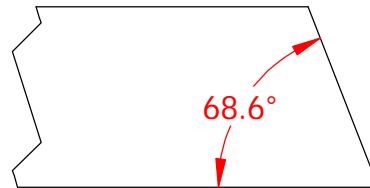
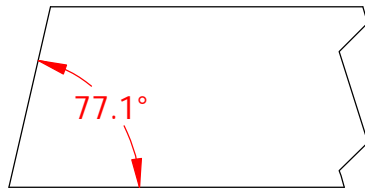
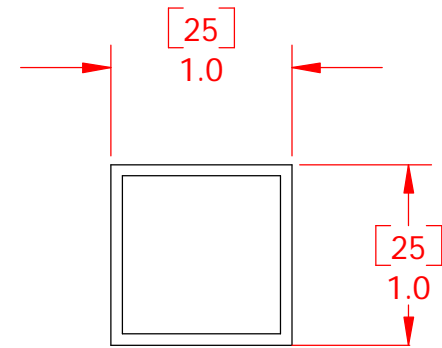
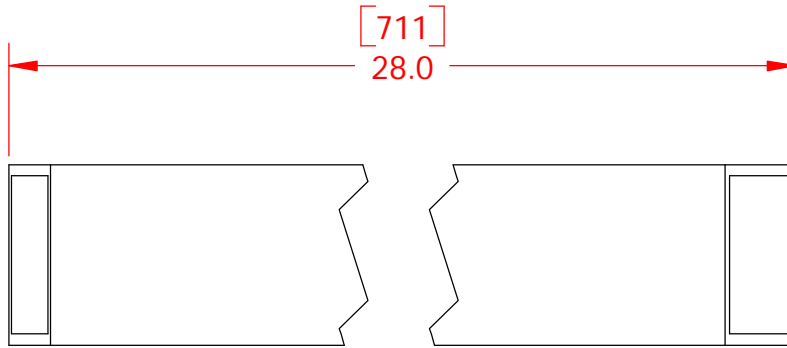
ENGINE MOUNT BOTTOM INSIDE RAIL (G1 & G2)

FOR EDUCATIONAL USE ONLY
THE INFORMATION CONTAINED IN THIS DRAWING IS NOT INTENDED FOR USE IN THE CONSTRUCTION OR MANUFACTURE OF PARTS. THE INFORMATION IS PROVIDED WITHOUT WARRANTY FOR EDUCATIONAL REFERENCE ONLY.

MATERIAL
**STEEL - RHS
1"x1", 16swg**

DO NOT SCALE DRAWING

SIZE A	DWG. NO. G	REV.
SCALE:1:1	WEIGHT:	SHEET 1 OF 1



DIMENSIONS ARE IN INCHES
 TOLERANCES:
 FRACTIONAL $\pm 1/32$
 ANGULAR $\pm 1^\circ$
 TWO PLACE DECIMAL $\pm .03$
 THREE PLACE DECIMAL $\pm .010$

BOOK CHASSIS

ENGINE BAY STRENGTH MEMBER (R)

FOR EDUCATIONAL USE ONLY
 THE INFORMATION CONTAINED IN THIS
 DRAWING IS NOT INTENDED FOR USE IN
 THE CONSTRUCTION OR MANUFACTURE
 OF PARTS. THE INFORMATION IS PROVIDED
 WITHOUT WARRANTY FOR EDUCATIONAL
 REFERENCE ONLY.

MATERIAL
STEEL - RHS
1"x1", 16swg
 DO NOT SCALE DRAWING

SIZE A	DWG. NO. R	REV.
SCALE:1:1		